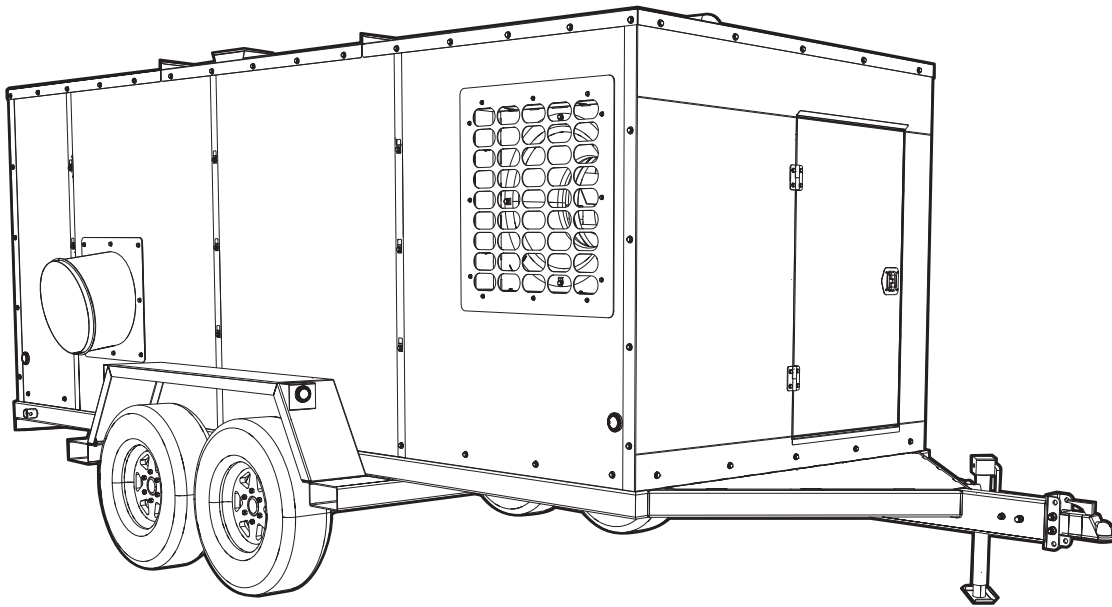


# ***MIH1.2TDI***

## ***Mobile Indirect Heater***

### ***Parts Manual***



03525

**MODEL NUMBER:** \_\_\_\_\_

**SERIAL NUMBER:** \_\_\_\_\_

**DATE PURCHASED:** \_\_\_\_\_

***SAVE THIS MANUAL FOR FUTURE REFERENCE***

 **WARNING**

**CANCER AND REPRODUCTIVE HARM**

[www.P65Warnings.ca.gov](http://www.P65Warnings.ca.gov)

(000393a)

 **WARNING**

Breathing diesel engine exhaust exposes you to chemicals known to the State of California to cause cancer and birth defects or other reproductive harm.

- Always start and operate the engine in a well-ventilated area.
- If in an enclosed area, vent the exhaust to the outside.
- Do not modify or tamper with the exhaust system.
- Do not idle the engine except as necessary.

For more information go to

[www.P65Warnings.ca.gov/diesel](http://www.P65Warnings.ca.gov/diesel)

(000394)

# Introduction

This parts manual was prepared based on the information available at the time of publication and is subject to change without notice. Generac Mobile Products reserves the right to change parts at any time. To check whether a revised parts manual is available, contact Generac Mobile Products.

DO NOT MODIFY or use this equipment for any application other than which it was designed for. To keep your equipment fully operational, it is suggested you maintain a stock of commonly used maintenance or service parts. A recommended spare parts list can be found in the back of this manual. To order service parts, please go to [www.generacmobileproducts.com](http://www.generacmobileproducts.com) or call Generac Mobile Products.



## **WARNING**

Consult Manual. Read and understand manual completely before using product. Failure to completely understand manual and product could result in death or serious injury. (000100a)

---

## **WARNING**

Environmental Hazard. Always recycle batteries at an official recycling center in accordance with all local laws and regulations. Failure to do so could result in environmental damage, death, or serious injury. (000228)

---

## **GENERAC MOBILE PRODUCTS LLC**

**215 Power Drive • Berlin, WI 54923 U.S.A.**

**Phone: 920-361-4442**

**FAX: 920-361-4416**

**Toll Free: 1-800-926-9768**

**[www.generacmobileproducts.com](http://www.generacmobileproducts.com)**

**For technical or parts QUESTIONS, contact Generac Mobile Products Technical Service at 1-800-926-9768.**

Engine Make: \_\_\_\_\_

Engine Serial Number: \_\_\_\_\_

Engine Model Number: \_\_\_\_\_

This Page Intentionally Left Blank

# Table of Contents

Introduction .....	iii
Parts Manual Instructions .....	1
Decal Location .....	2
Enclosure Panels .....	4
Roof and Doors to Unit .....	6
Burner Assembly to Unit .....	8
Heat Exchanger and Enclosure Panels to Unit .....	10
Heat Exchanger Assembly .....	12
Scroll Assembly .....	14
Side Door Panel Assembly .....	16
Rear Panel Assembly .....	18
Front Panel Assembly .....	20
Rear Door Assembly .....	22
Side Door Assembly .....	24
Front Door Assembly .....	26
Control Box Assembly .....	28
Engine / Generator Assembly .....	30
Fuel Tank Assembly .....	32
Trailer Assembly .....	34
Recommended Spare Parts - Engine .....	36
Recommended Spare Parts - Heater and Electrical .....	38

This Page Intentionally Left Blank

# Parts Manual Instructions


Product illustrations are only representations. Products supplied may vary from the illustrations in this parts manual. Parts not shown in the illustration are indicated by a double dash (--) in the item column.

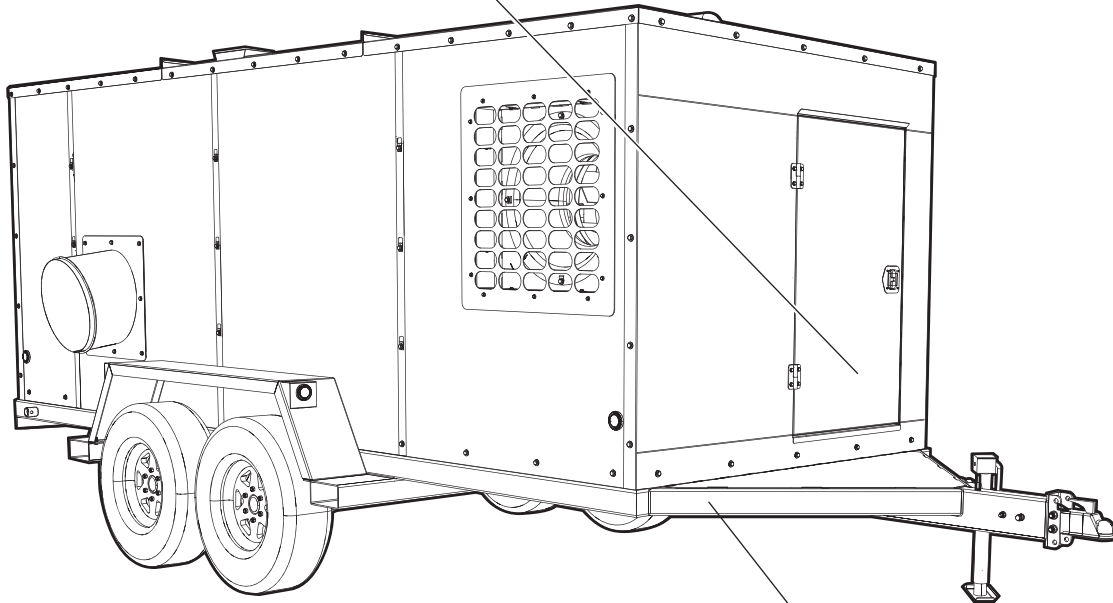
Please be prepared to provide the following information when ordering replacement parts: model number, serial number (on unit serial tag), part number, purchase order number (if applicable), shipping address, shipping method.

Refer to the illustration below to locate the unit ID tag and Vehicle Identification Number (VIN) tag on the unit. Important information, such as the unit serial number, model number, VIN and tire loading information are found on these tags. Record the information from these tags so it is available if the tags are lost or damaged. When ordering parts or requesting assistance, you may be asked to provide this information.

## SERIAL TAG

(located on engine mount on inside of unit)

<b>Manufactured by Generac Mobile Products LLC</b>			
(920) 361-4442		(800) 926-9768	
Country of Origin	Model	Serial Number	
<input type="text"/>	<input type="text"/>	<input type="text"/>	
Manufacturing Code	Weight (lbs/kg)	RPM/Frequency	
<input type="text"/>	<input type="text"/>	<input type="text"/>	
1 ph. 1.0PF	3 ph. .8PF	3 ph. 1.0PF	Rating
KW <input type="text"/>	<input type="text"/>	<input type="text"/>	<input type="text"/>
KVA <input type="text"/>	<input type="text"/>	<input type="text"/>	<input type="text"/>
V <input type="text"/>	<input type="text"/>	<input type="text"/>	<input type="text"/>
A <input type="text"/>	<input type="text"/>	<input type="text"/>	<input type="text"/>
			<input type="text"/> Ins. Class
			 FOR ELECTRICAL EQUIPMENT ONLY. THIS INFORMATION IS NOT TO BE USED FOR ELECTRICAL INSTALLATION. SEE LISTING.

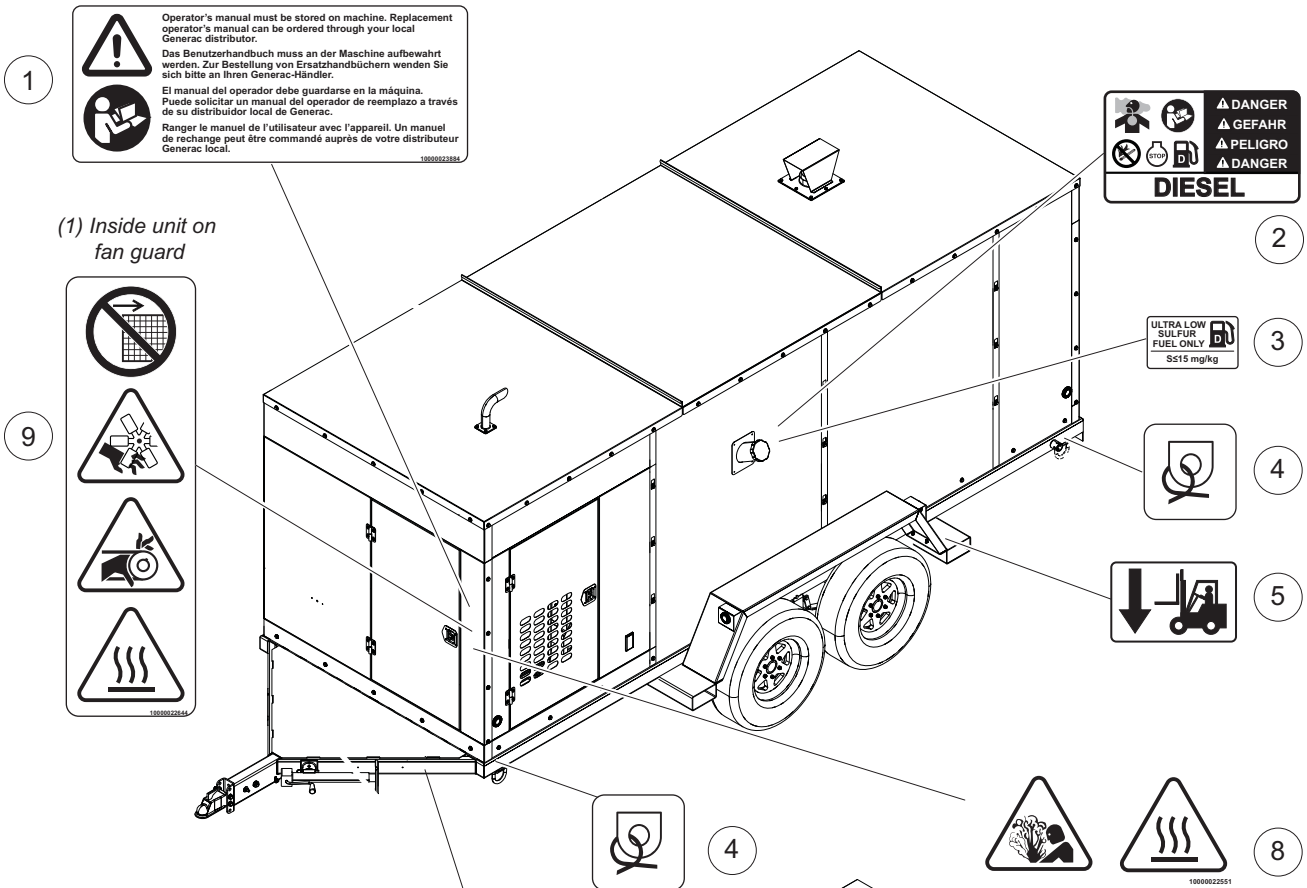


## VIN TAG

MANUFACTURED BY (FRANCOISE) PNE		General Mobile Products LLC		DATE: 000000
G00000000000000000000		GOLF INF PRESS		FRS000 SE
SHA00 / PNE0	TIRE / PNE0	SM / JANTE	GOLF A FR000 - KP0000LFC0 SOL / DUAL	
EACH				<b>TIRE AND LOADING INFORMATION</b> <b>RENSEIGNEMENTS SUR LES</b> <b>PNEUS ET CHARGEMENT</b> <small>The weight of cargo should never exceed 2000kg (4400lb).</small> <small>Le poids de chargement ne doit jamais dépasser 2000kg (4400lb).</small>
AGE				
<small>This vehicle conforms to all applicable Canadian motorhome safety standards and is a FEDERAL MOTOR VEHICLE SAFETY (FMVSS) COMPLIANT PRODUCT.</small>				<b>SEE OWNER</b> <b>MANUAL FOR</b> <b>OPERATION</b> <b>AND</b> <b>SAFETY</b> <b>INFORMATION</b> <b>FOR</b> <b>LOADING</b> <b>AND</b> <b>RESTRICTIONS</b>
VIN: ALVLC 0000000000000000		MODEL: XXX000		
		TYPE: TRAILER		

03018

# DECAL LOCATION

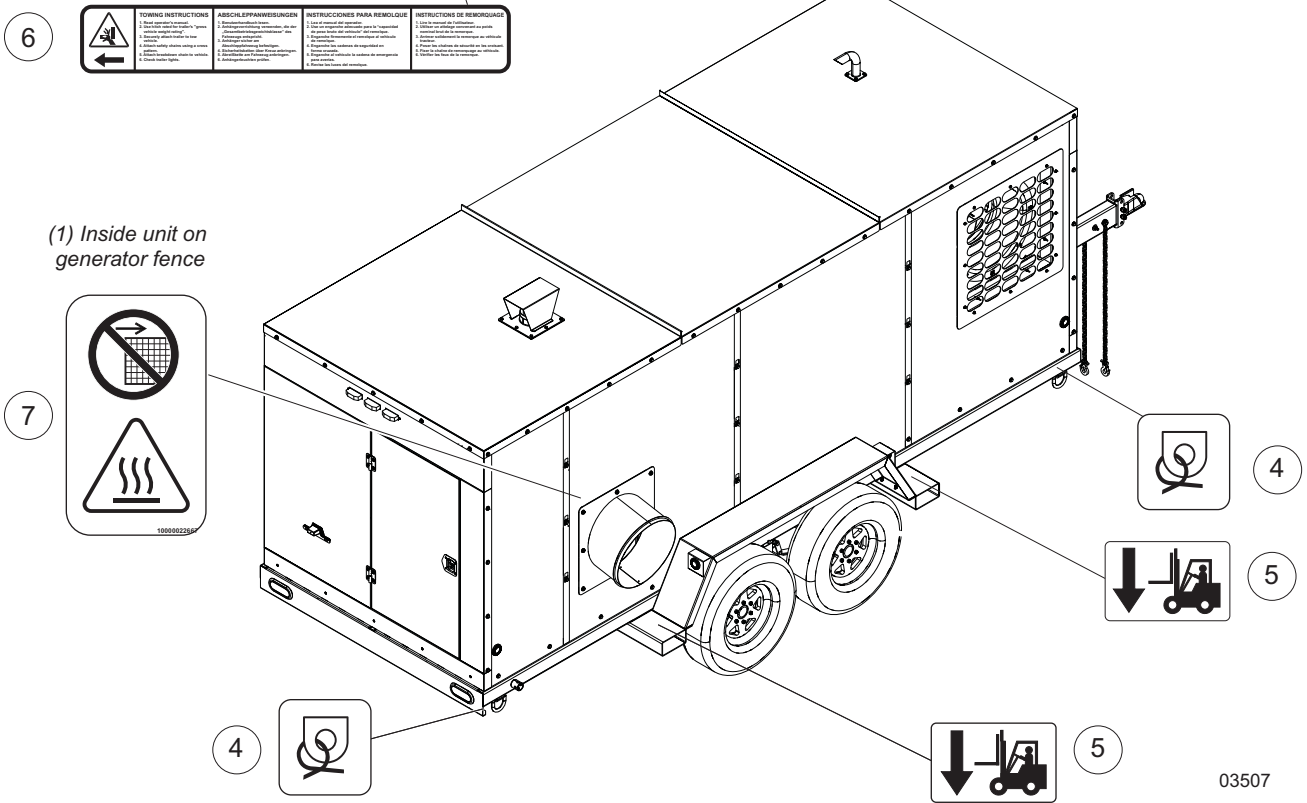


Operator's manual must be stored on machine. Replacement operator's manual can be ordered through your local Generac distributor.  
 Das Benutzerhandbuch muss an der Maschine aufbewahrt werden. Zur Bestellung von Ersatzhandbüchern wenden Sie sich bitte an Ihren Generac-Händler.  
 El manual del operador debe guardarse en la máquina. Puede solicitar un manual del operador de reemplazo a través de su distribuidor local de Generac.  
 Ranger le manuel de l'utilisateur avec l'appareil. Un manuel de rechange peut être commandé auprès de votre distributeur Generac local.

DANGER  
 GEFAHR  
 PELIGRO  
 DANGER  
**DIESEL**

**6**

TOWING INSTRUCTIONS	ABSCHELFANWEISUNGEN	INSTRUCCIONES PARA REMOLQUE	INSTRUZIONI DI RIMOVIAGGIO
1. Read and understand the towing instructions. 2. Use the correct hitch and weight distribution. 3. Do not exceed the rated towing capacity. 4. Do not tow on uneven or slippery surfaces. 5. Do not tow on wet or icy roads. 6. Do not tow on roads with a steep grade. 7. Do not tow on roads with a sharp curve. 8. Do not tow on roads with a narrow lane. 9. Do not tow on roads with a narrow shoulder. 10. Do not tow on roads with a narrow clearance. 11. Do not tow on roads with a narrow bridge. 12. Do not tow on roads with a narrow overpass. 13. Do not tow on roads with a narrow tunnel. 14. Do not tow on roads with a narrow entrance. 15. Do not tow on roads with a narrow exit. 16. Do not tow on roads with a narrow turn. 17. Do not tow on roads with a narrow intersection. 18. Do not tow on roads with a narrow junction. 19. Do not tow on roads with a narrow crossing. 20. Do not tow on roads with a narrow gap. 21. Do not tow on roads with a narrow opening. 22. Do not tow on roads with a narrow passage. 23. Do not tow on roads with a narrow way. 24. Do not tow on roads with a narrow track. 25. Do not tow on roads with a narrow path. 26. Do not tow on roads with a narrow lane. 27. Do not tow on roads with a narrow road. 28. Do not tow on roads with a narrow street. 29. Do not tow on roads with a narrow highway. 30. Do not tow on roads with a narrow expressway. 31. Do not tow on roads with a narrow freeway. 32. Do not tow on roads with a narrow interstate. 33. Do not tow on roads with a narrow state road. 34. Do not tow on roads with a narrow county road. 35. Do not tow on roads with a narrow city street. 36. Do not tow on roads with a narrow town square. 37. Do not tow on roads with a narrow market place. 38. Do not tow on roads with a narrow public square. 39. Do not tow on roads with a narrow town square. 40. Do not tow on roads with a narrow public square.	1. Lesen und verstehen Sie die Anweisungen zum Abschleppen. 2. Verwenden Sie das richtige Schleppgerät und die richtige Gewichtsverteilung. 3. Überschreiten Sie nicht die zulässige Schleppkapazität. 4. Ziehen Sie nicht auf unebenem oder rutschigem Untergrund. 5. Ziehen Sie nicht auf nassen oder eisigen Straßen. 6. Ziehen Sie nicht auf Straßen mit steilem Gefälle. 7. Ziehen Sie nicht auf Straßen mit scharfen Kurven. 8. Ziehen Sie nicht auf Straßen mit schmalem Fahrweg. 9. Ziehen Sie nicht auf Straßen mit schmalem Randstreifen. 10. Ziehen Sie nicht auf Straßen mit schmalem Überweg. 11. Ziehen Sie nicht auf Straßen mit schmalem Tunnel. 12. Ziehen Sie nicht auf Straßen mit schmalem Eingang. 13. Ziehen Sie nicht auf Straßen mit schmalem Ausgang. 14. Ziehen Sie nicht auf Straßen mit schmalem Durchgang. 15. Ziehen Sie nicht auf Straßen mit schmalem Weg. 16. Ziehen Sie nicht auf Straßen mit schmalem Pfad. 17. Ziehen Sie nicht auf Straßen mit schmalem Fahrweg. 18. Ziehen Sie nicht auf Straßen mit schmalem Straßen. 19. Ziehen Sie nicht auf Straßen mit schmalem Highway. 20. Ziehen Sie nicht auf Straßen mit schmalem Expressway. 21. Ziehen Sie nicht auf Straßen mit schmalem Freeway. 22. Ziehen Sie nicht auf Straßen mit schmalem Interstate. 23. Ziehen Sie nicht auf Straßen mit schmalem State Road. 24. Ziehen Sie nicht auf Straßen mit schmalem County Road. 25. Ziehen Sie nicht auf Straßen mit schmalem City Street. 26. Ziehen Sie nicht auf Straßen mit schmalem Town Square. 27. Ziehen Sie nicht auf Straßen mit schmalem Market Place. 28. Ziehen Sie nicht auf Straßen mit schmalem Public Square. 29. Ziehen Sie nicht auf Straßen mit schmalem Town Square. 30. Ziehen Sie nicht auf Straßen mit schmalem Public Square.	1. Leer y comprender las instrucciones de remolque. 2. Usar el enganche correcto y la distribución de pesos. 3. No exceder la capacidad máxima de remolque. 4. No remolcar en superficies irregulares o resbaladizas. 5. No remolcar en carreteras húmedas o heladas. 6. No remolcar en carreteras con fuerte pendiente. 7. No remolcar en carreteras con curvas cerradas. 8. No remolcar en carreteras con carril estrecho. 9. No remolcar en carreteras con arcén estrecho. 10. No remolcar en carreteras con paso estrecho. 11. No remolcar en carreteras con túnel estrecho. 12. No remolcar en carreteras con entrada estrecha. 13. No remolcar en carreteras con salida estrecha. 14. No remolcar en carreteras con paso estrecho. 15. No remolcar en carreteras con camino estrecho. 16. No remolcar en carreteras con sendero estrecho. 17. No remolcar en carreteras con carril estrecho. 18. No remolcar en carreteras con carretera estrecha. 19. No remolcar en carreteras con autopista estrecha. 20. No remolcar en carreteras con carretera de cuota estrecha. 21. No remolcar en carreteras con carretera de cuota. 22. No remolcar en carreteras con carretera estatal estrecha. 23. No remolcar en carreteras con carretera de condado estrecha. 24. No remolcar en carreteras con calle estrecha. 25. No remolcar en carreteras con plaza estrecha. 26. No remolcar en carreteras con plaza pública estrecha. 27. No remolcar en carreteras con plaza. 28. No remolcar en carreteras con plaza pública.	1. Leggere e comprendere le istruzioni di rimozione. 2. Usare il giunto corretto e la distribuzione dei pesi. 3. Non superare la capacità massima di rimozione. 4. Non trainare su superfici irregolari o scivolose. 5. Non trainare su strade bagnate o ghiacciate. 6. Non trainare su strade con forte pendenza. 7. Non trainare su strade con curve strette. 8. Non trainare su strade con corsia stretta. 9. Non trainare su strade con marciapiede stretto. 10. Non trainare su strade con passaggio stretto. 11. Non trainare su strade con tunnel stretto. 12. Non trainare su strade con ingresso stretto. 13. Non trainare su strade con uscita stretta. 14. Non trainare su strade con passaggio stretto. 15. Non trainare su strade con sentiero stretto. 16. Non trainare su strade con viale stretto. 17. Non trainare su strade con strada stretta. 18. Non trainare su strade con strada statale stretta. 19. Non trainare su strade con strada a pedaggio stretta. 20. Non trainare su strade con strada a pedaggio. 21. Non trainare su strade con strada statale. 22. Non trainare su strade con strada di contea stretta. 23. Non trainare su strade con viale stretto. 24. Non trainare su strade con piazza stretta. 25. Non trainare su strade con piazza pubblica stretta. 26. Non trainare su strade con piazza. 27. Non trainare su strade con piazza pubblica.



03507

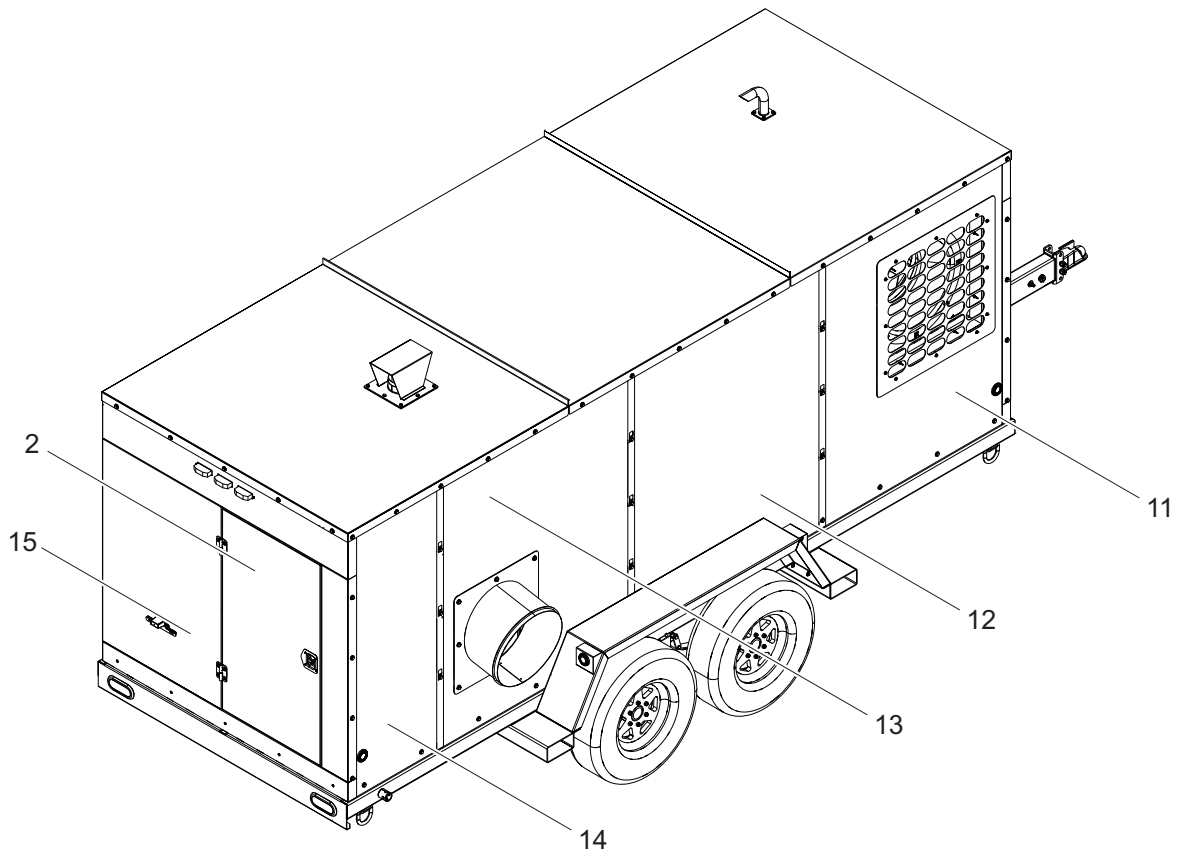
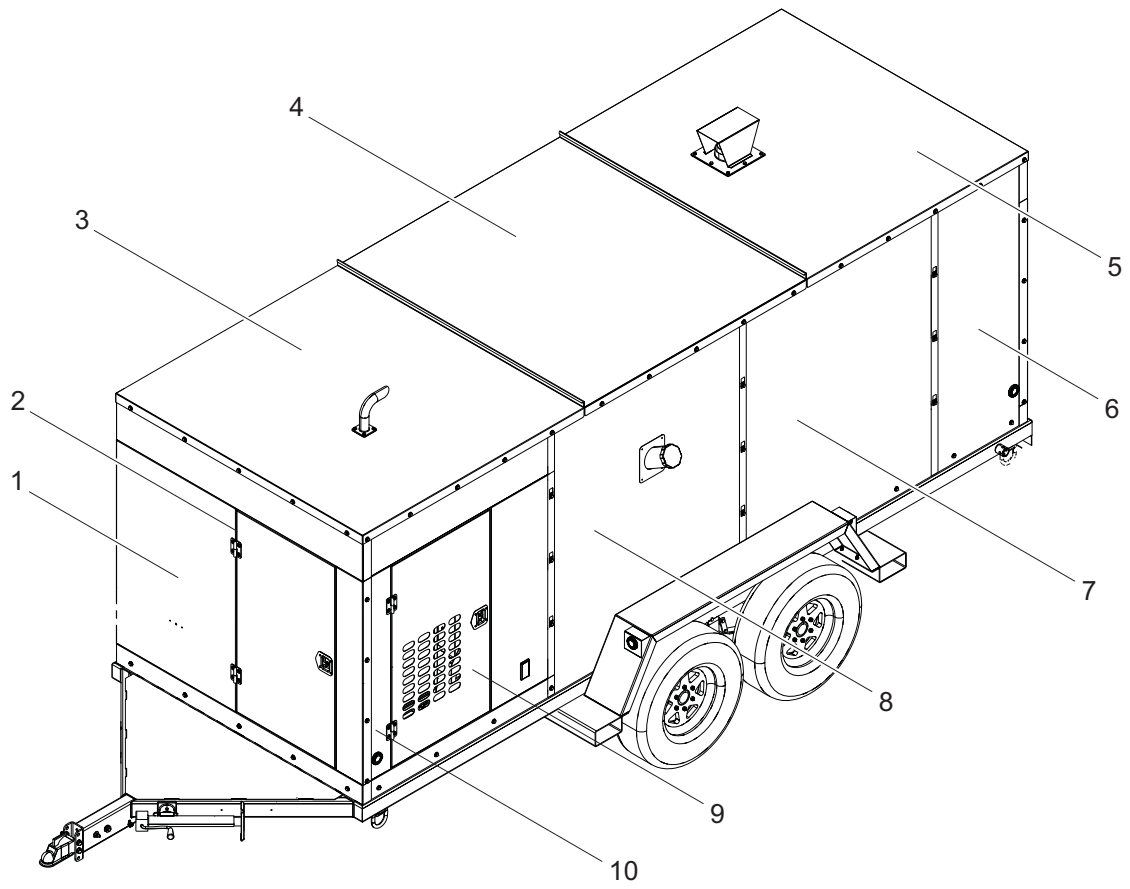


## DECAL LOCATION

---

Item	Part No.	Qty	Description	Notes
1	10000023884	1	Decal, operator manual storage	
2	10000022514	1	Decal, diesel fuel only fill	
3	10000023715	1	Decal, ultra low sulfur fuel	
4	10000022772	4	Decal, tie down point	
5	10000025362	4	Decal, forklift pocket below	
6	10000024119	1	Decal, general tow instructions	
7	10000022667	2	Decal, generator guard temp warning	
8	10000022551	1	Decal, radiator fill hazard	
9	10000022644	2	Decal, fan belt blade temp guard	
10	A0000116250	1	Decal, hot exhaust above	
11	A0000116251	3	Decal, Do Not Drill	
12	A0000116411	3	Decal, Read manual use PPE for hearing	
13	A0000116412	3	Decal, do not step	
14	A0000411613	1	Decal, disconnect battery for service	
--	A0000561237	1	Decal, safety	

# ENCLOSURE PANELS



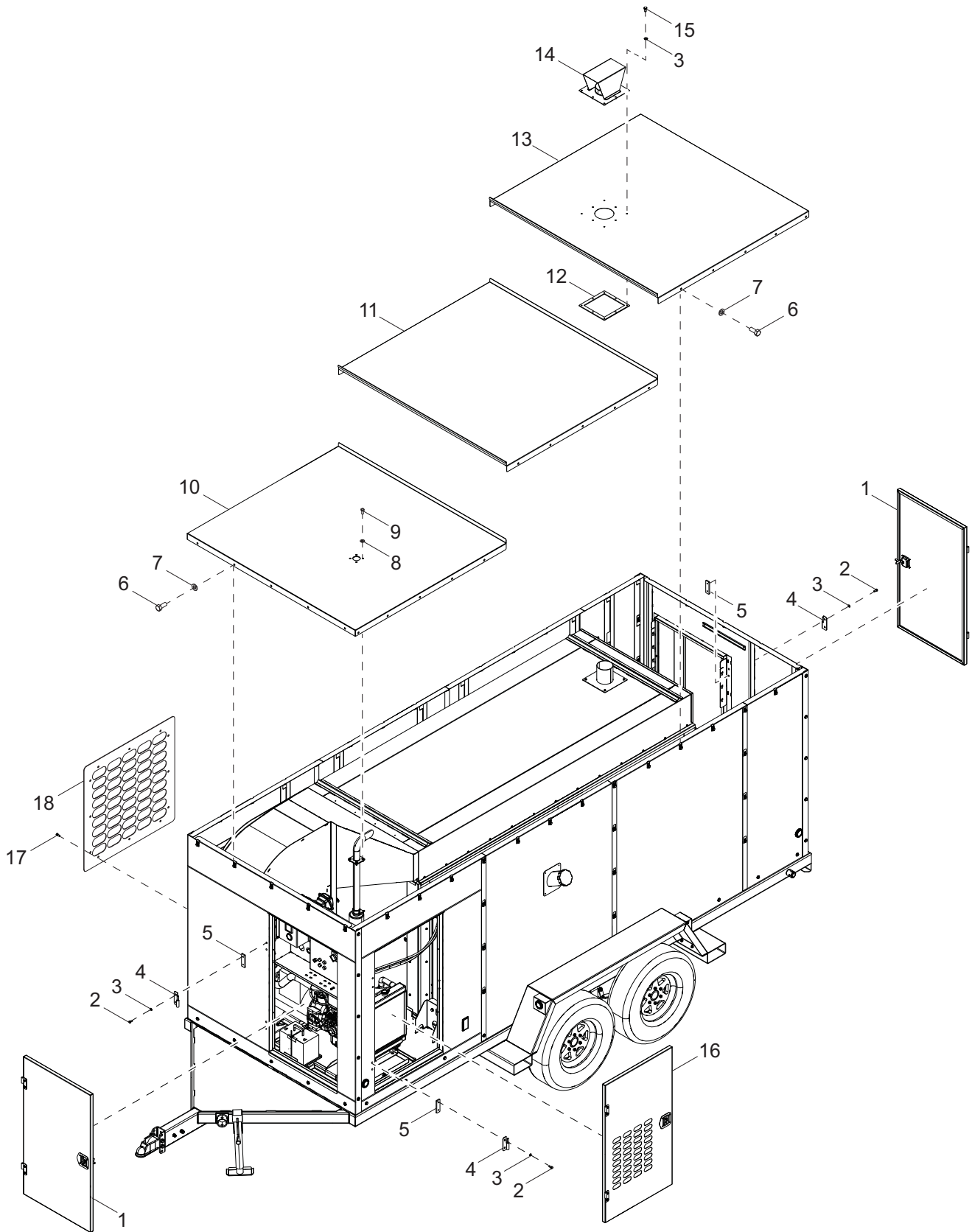
03508

## ENCLOSURE PANELS

---

Item	Part No.	Qty	Description	Notes
1	A0001584252	1	Assembly, enclosure panel front	
2	A0000199265	2	Weldment, front door	
3	A0000259216	1	Weldment, roof - front	
4	A0000259217	1	Panel, roof - center	
5	A0000259218	1	Weldment, roof - rear	
6	A0000259223	1	Weldment, panel - left rear	
7	A0000259222	1	Weldment, panel - middle	
8	A0000259221	1	Weldment, panel - front	
9	A0000199267	1	Weldment, door - left	
10	A0001584249	1	Assembly, enclosure panel - side	
11	A0000259204	1	Weldment, panel - right front	
12	A0000259205	1	Weldment, panel - middle front	
13	A0000259206	1	Weldment, panel - middle rear	
14	A0000259207	1	Weldment, panel - right rear	
15	A0001584250	1	Assembly, enclosure panel - rear	

# ROOF AND DOORS TO UNIT

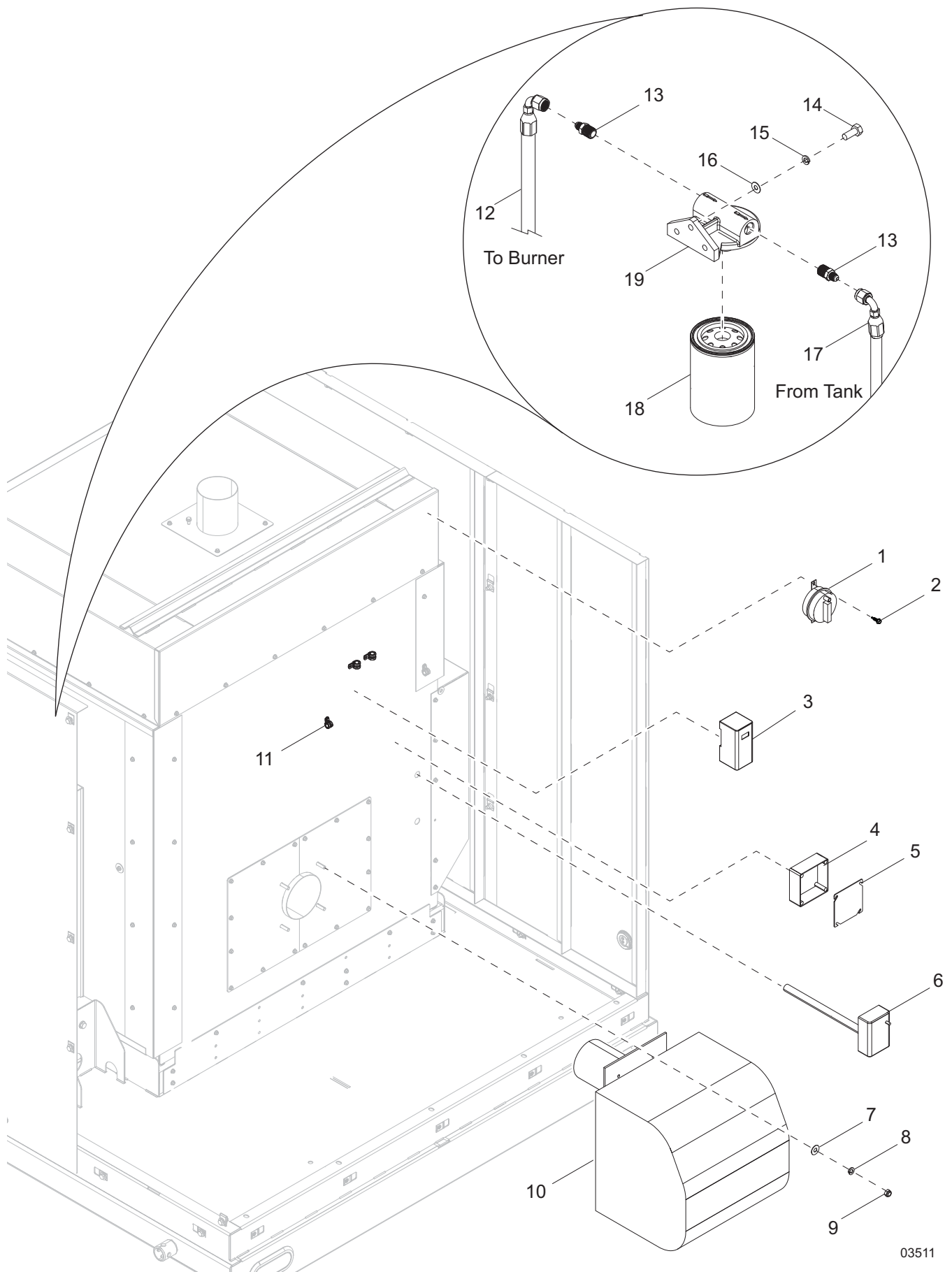


03509

## ROOF AND DOORS TO UNIT

Item	Part No.	Qty	Description	Notes
1	A0000199265	2	Weldment, door - front/rear	
2	G055173	12	Screw, M8-1.25 x 20 HHC,G10.9	
3	60031	20	Washer, M8 flat	
4	18459	6	Hinge, right - male	
5	A0000199270	6	Plate, hinge back - threaded	
6	G049814	40	Screw, M10-1.50 x 25 HHC, G8.8	
7	A0000206009	40	Washer, sealing .434ID x 1.00OD - SS	
8	60029	4	Washer, M8 split lock	
9	G043107	4	Screw, M8-1.25 x 25 HHC, C8.8	
10	A0000259216	1	Weldment, roof - front	
11	A0000259217	1	Panel, roof - center	
12	A0000199212	1	Gasket, roof panel - rear	
13	A0000259218	1	Weldment, roof - rear	
14	A0000199280	1	Weldment, heater exhaust cap	
15	G042907	8	Screw, M8-1.25 x 16, G8.8	
16	A0000199267	1	Weldment, door - left	
17	0C2454	12	Screw, M6-1 x 16 HWHT	
18	3022059	1	Grill, fan intake 2.50	

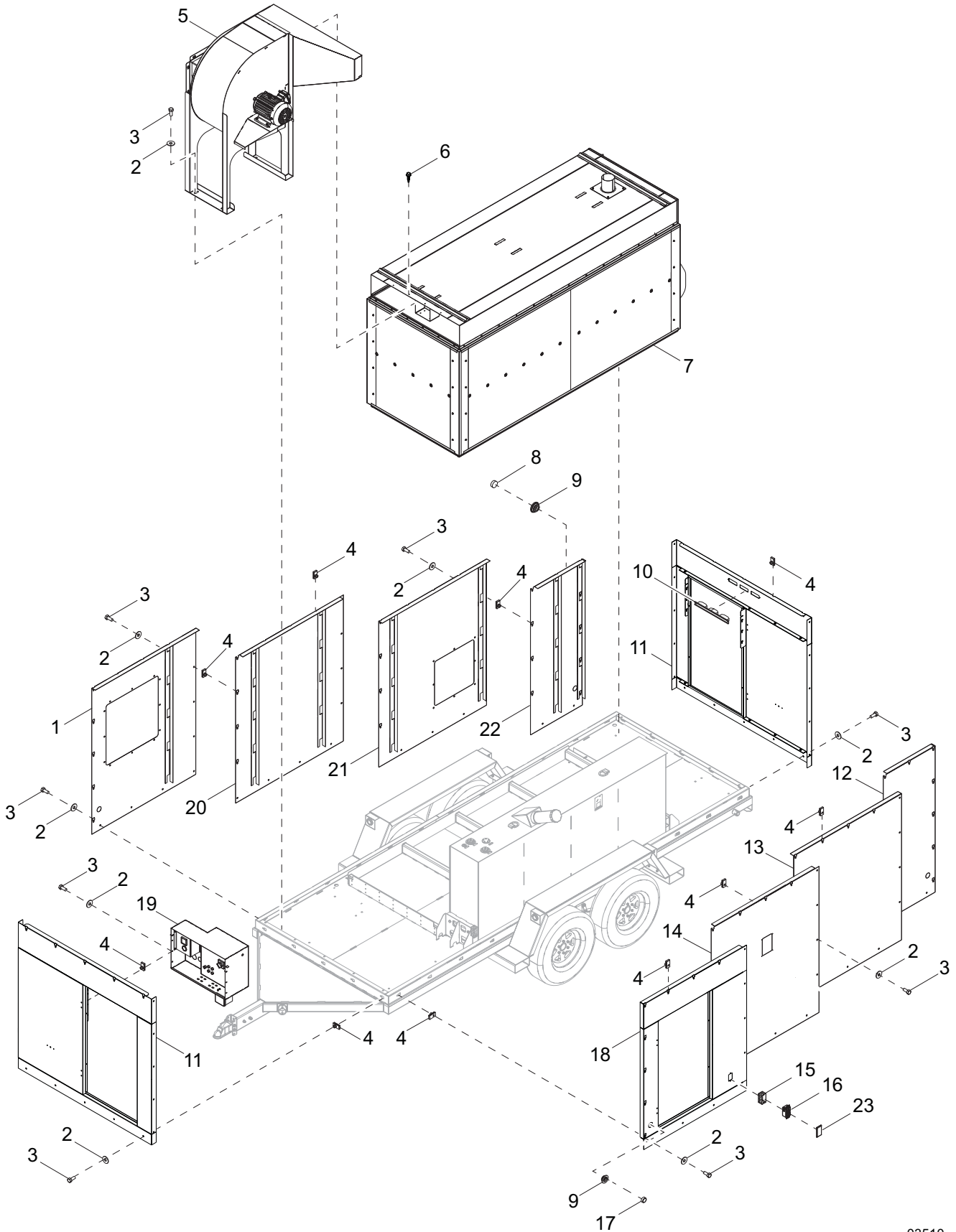
# BURNER ASSEMBLY TO UNIT



## BURNER ASSEMBLY TO UNIT

Item	Part No.	Qty	Description	Notes
1	MAC1399	1	Switch	
2	MAC0774	2	Screw, .250-14 x 2.00 hex self tapping	
3	MAC1516	1	Thermostat - electric	
4	MAC0386	1	Box, electrical 4.00 x 4.00 - square	
5	MAC0397	1	Cover, 4.00 x 4.00 - square	
6	MAC1488	1	Control, fan limit 11.50	
7	60027	4	Washer, M10 flat	
8	60026	4	Washer, M10 split lock	
9	60033	4	Nut, M10-1.50 hex, G8.8	
10	MAC1915	1	Kit, oil burner RL38/2 120V	
11	16143	4	Clamp, tubing .500	
12	A0000199238	1	Hose, filter to burner supply	
13	MAC2241	2	Adapter, AER 2021-8-6S	
14	G043107	3	Screw, M8-1.25 x 30 HHC, G8.8	
15	60029	3	Washer, M8 split lock	
16	60031	3	Washer, M8 flat	
17	A0000199236	1	Hose, fuel supply - burner	
18	MAC0579	1	Housing, filter	
19	MAC0576	1	Filter, fuel	

# HEAT EXCHANGER AND ENCLOSURE PANELS TO UNIT



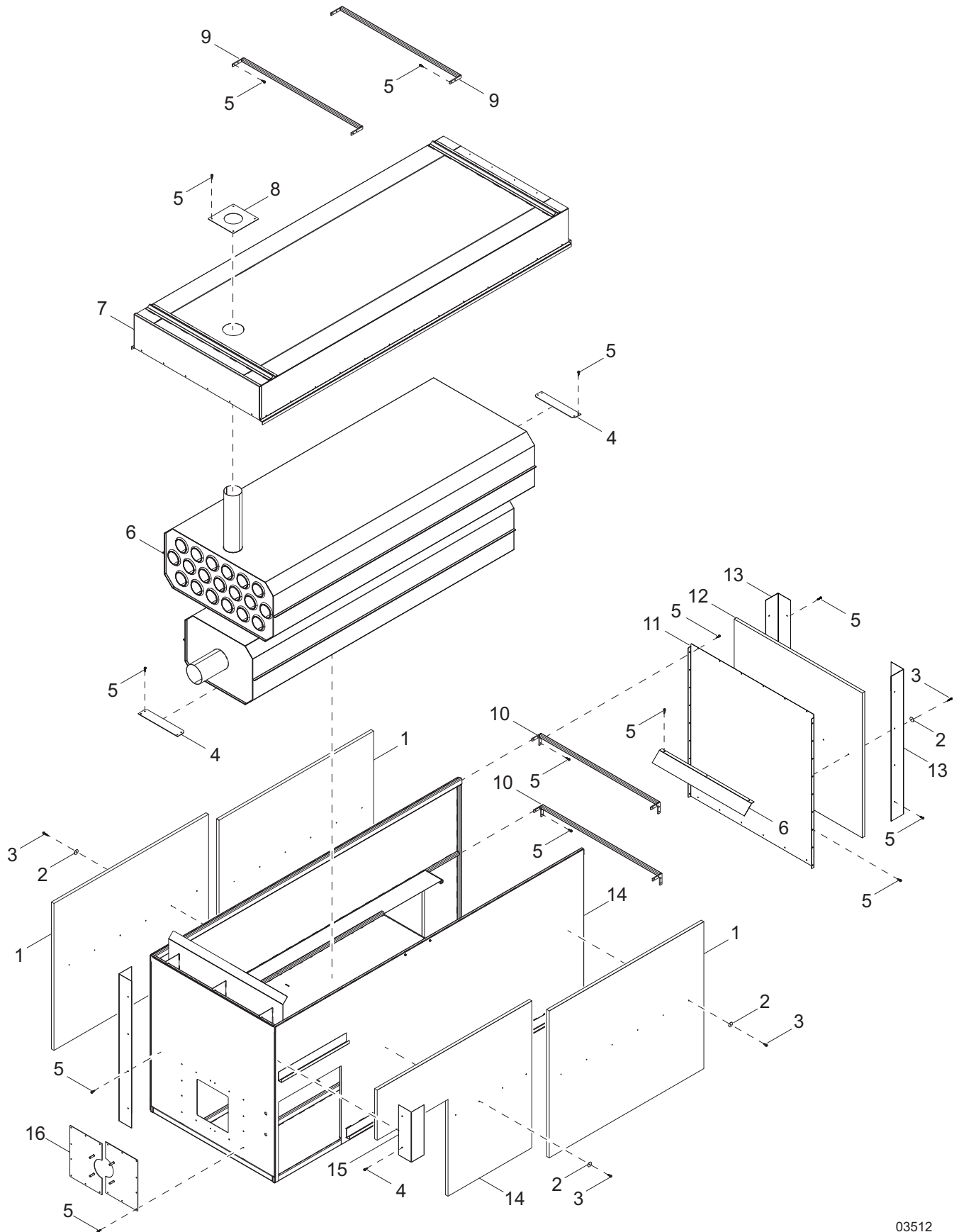
03510



## HEAT EXCHANGER AND ENCLOSURE PANELS TO UNIT

Item	Part No.	Qty	Description	Notes
1	A0000259204	1	Weldment, panel - right front	
2	A0000206009	74	Washer, sealing .434ID x 1.00OD - SS	
3	G049814	74	Screw, M10-1.5 x 25 HHC, G8.8	
4	10000045773	74	Nut, M10 x 1.5 U-clip - short type	
5	A0001584227	1	Assembly, fan scroll	
6	3022914	6	Screw, .250-14 x 1.00 self-tapping	
7	A0001584230	1	Assembly, heat box - complete	
8	66703	2	Light, clearance 2.00 LED - red	
9	66394	4	Grommet, sealed beam light 2.0 - rubber	
10	3020502	1	Light	
11	A0000422660	1	Assembly, rear enclosure panel	
12	A0000259223	1	Weldment, panel - left rear	
13	A0000259222	1	Weldment, panel - left mid-rear	
14	A0000259221	1	Weldment, panel - left mid-front	
15	MAC0377	1	Box, 2.00 x 4.00 box - steel	
16	MAC0306	1	Receptacle, GFI 20A 125V - ivory	
17	66702	2	Light, clearance 2.00 LED - amber	
18	A0000259220	1	Weldment, panel - left front	
19	A0001478973	1	Assembly, electrical	
20	A0000259205	1	Weldment, panel - right mid-front	
21	A0000259206	1	Weldment, panel - right mid-rear	
22	A0000259207	1	Weldment, panel - right rear	
23	MAC2320	1	Cover, WP metal	

# HEAT EXCHANGER ASSEMBLY

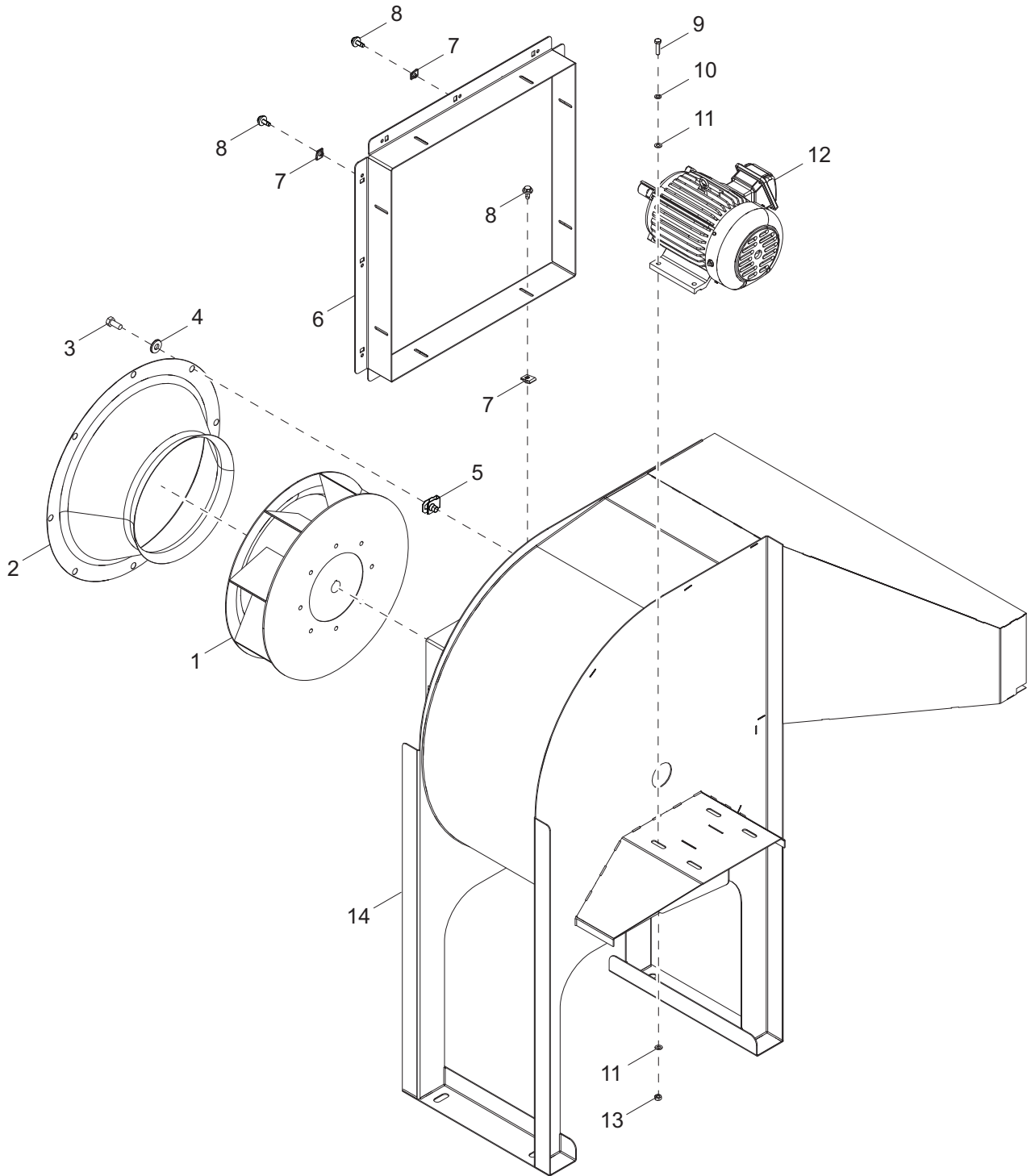


03512

## HEAT EXCHANGER ASSEMBLY

Item	Part No.	Qty	Description	Notes
1	A0000259189	3	Insulation, side	
2	60089	27	Washer, .265 fender 1.250/.060	
3	3023543	27	Screw, .250-14 x 1.50 hex	
4	A0000259169	2	Plate, mounting - heat exchanger	
5	3022914	16	Screw, .250-14 x 1.00 self-tapping	
6	A0001584231	1	Weldment, heat exchanger - top	
7	A0000272447	1	Weldment, cold box	
8	A0000263749	1	Plate, heat box exhaust	
9	A0000259167	2	Weldment, top cross member	
10	A0000259183	2	Weldment, front cross member	
11	A0000259186	1	Weldment, front plate	
12	A0000259190	1	Insulation, front	
13	A0000259192	3	Insulation, corner cover	
14	A0000259196	1	Assembly, heat box	
15	A0000259195	1	Insulation, corner cover - right rear	
16	A0000272454	2	Weldment, burner bracket	

# SCROLL ASSEMBLY

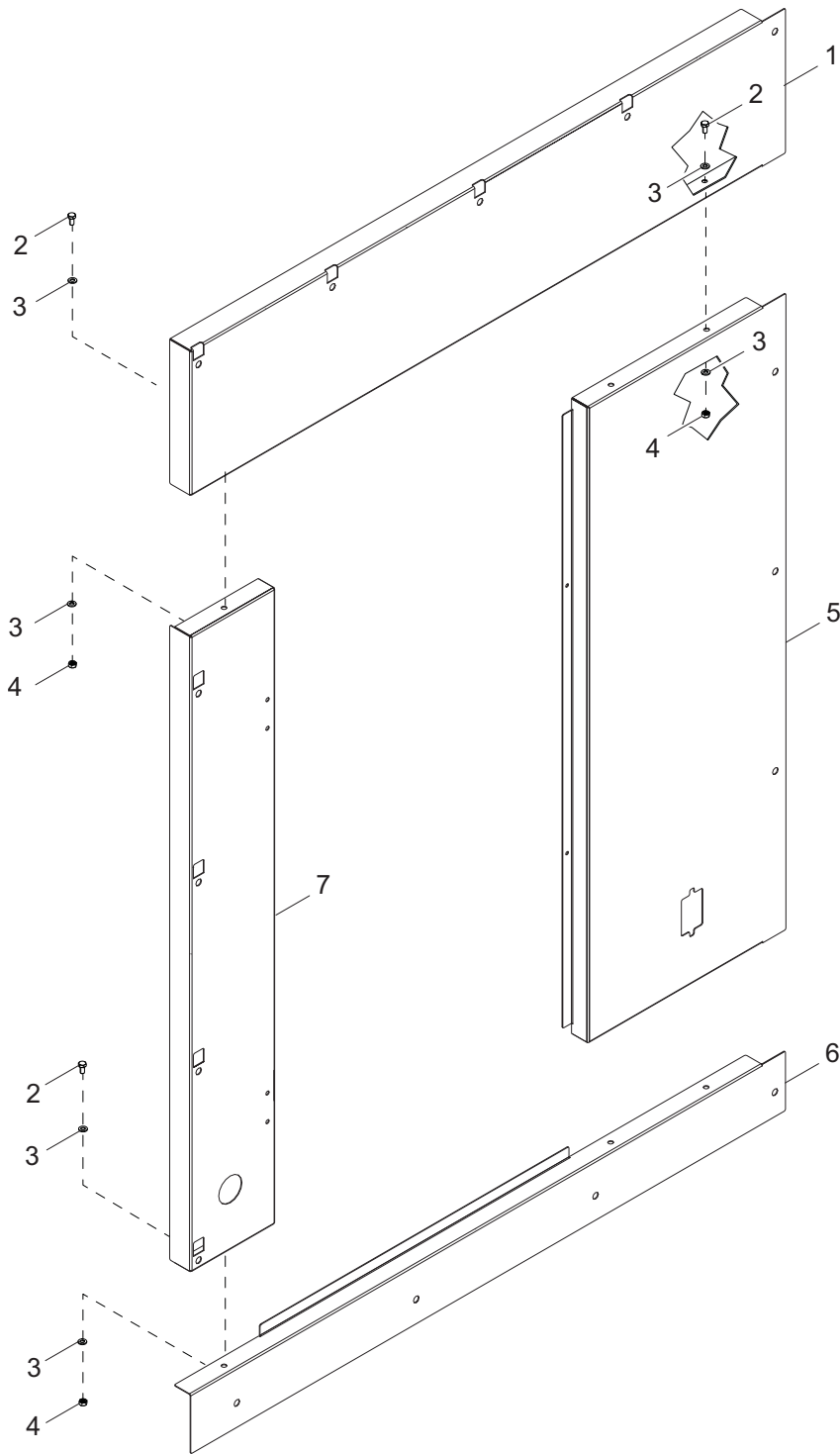


03513

## SCROLL ASSEMBLY

Item	Part No.	Qty	Description	Notes
1	3022293	1	Fan, wheel	
2	3022294	1	Funnel	
3	G049814	8	Screw, M10-1.5 x 25, G8.8	
4	A0000206009	8	Washer, .434ID x 1.00OD sealing - SS	
5	10000045773	8	Nut, M10 x 1.50 u-clip short type	
6	A0000271864	1	Weldment, shroud panel bracket	
7	A0000172066	20	Nut, M6 x 1 u-clip short type	
8	0C2454	20	Screw, M6-1 x 16 HWHT	
9	G057642	4	Screw, M10-1.50 x 40, G8.8 HHC	
10	G046526	4	Washer, M10 lock	
11	60027	8	Washer, M10 flat	
12	MAC2473	1	Motor, 7.5 HP 1800 RPM	
13	G045772	4	Nut, M10-1.50 G8	
14	A0000271862	1	Weldment, fan scroll	

# SIDE DOOR PANEL ASSEMBLY



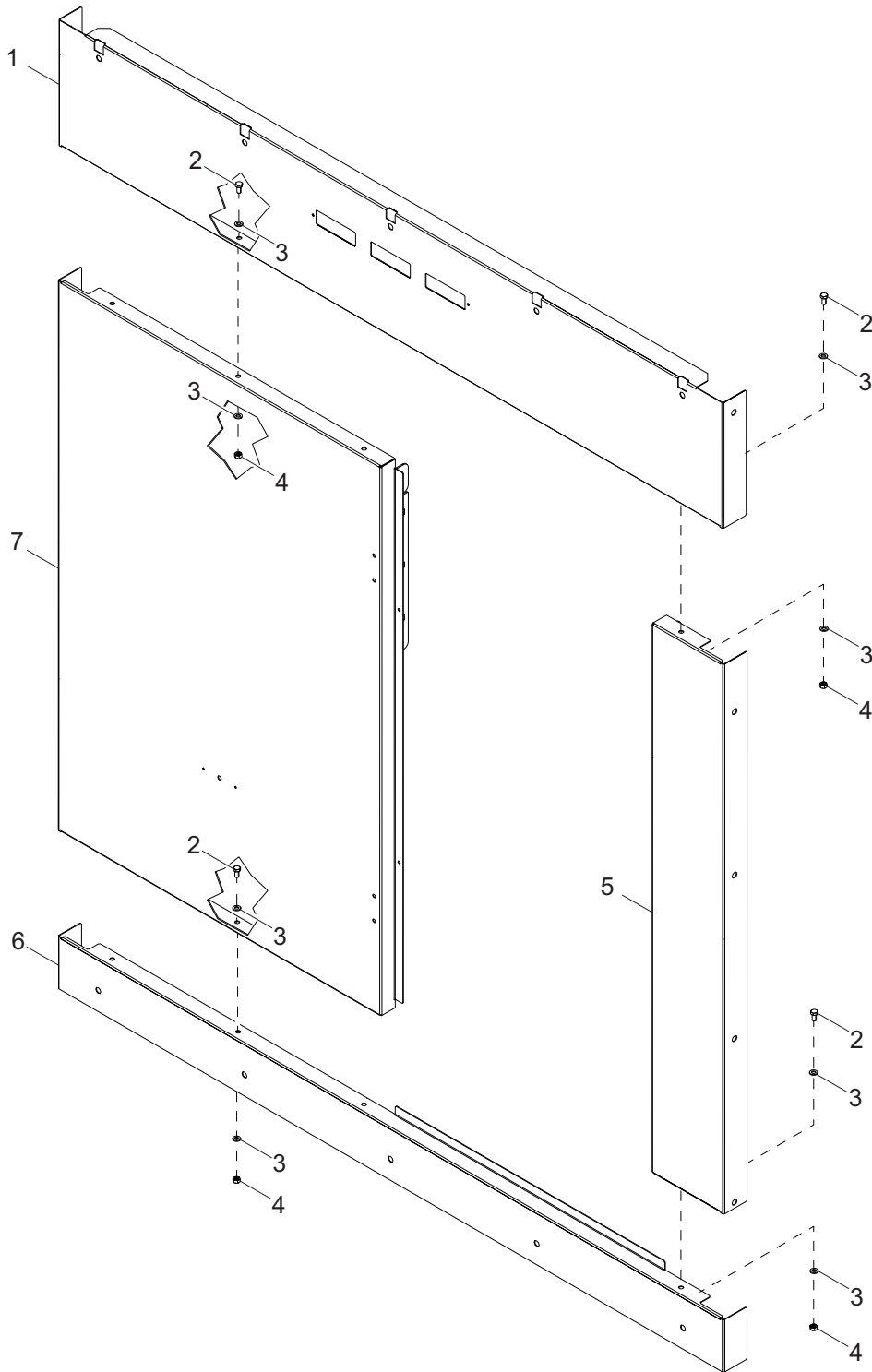
03514

## SIDE DOOR PANEL ASSEMBLY

---

Item	Part No.	Qty	Description	Notes
1	A0000422463	1	Panel, door side - top	
2	G042907	8	Screw, M8-1.25 x 16 HHC, G8.8	
3	60031	8	Washer, M8 flat	
4	60032	8	Nut, M8-1.25 hex G8.8	
5	A0000422464	1	Panel, door side -large	
6	A0000422467	1	Panel, door front - bottom	
7	A0000422465	1	Panel, door rear-large	
--	A0000422664	1	Assembly, rear enclosure panel	

# REAR PANEL ASSEMBLY



03515

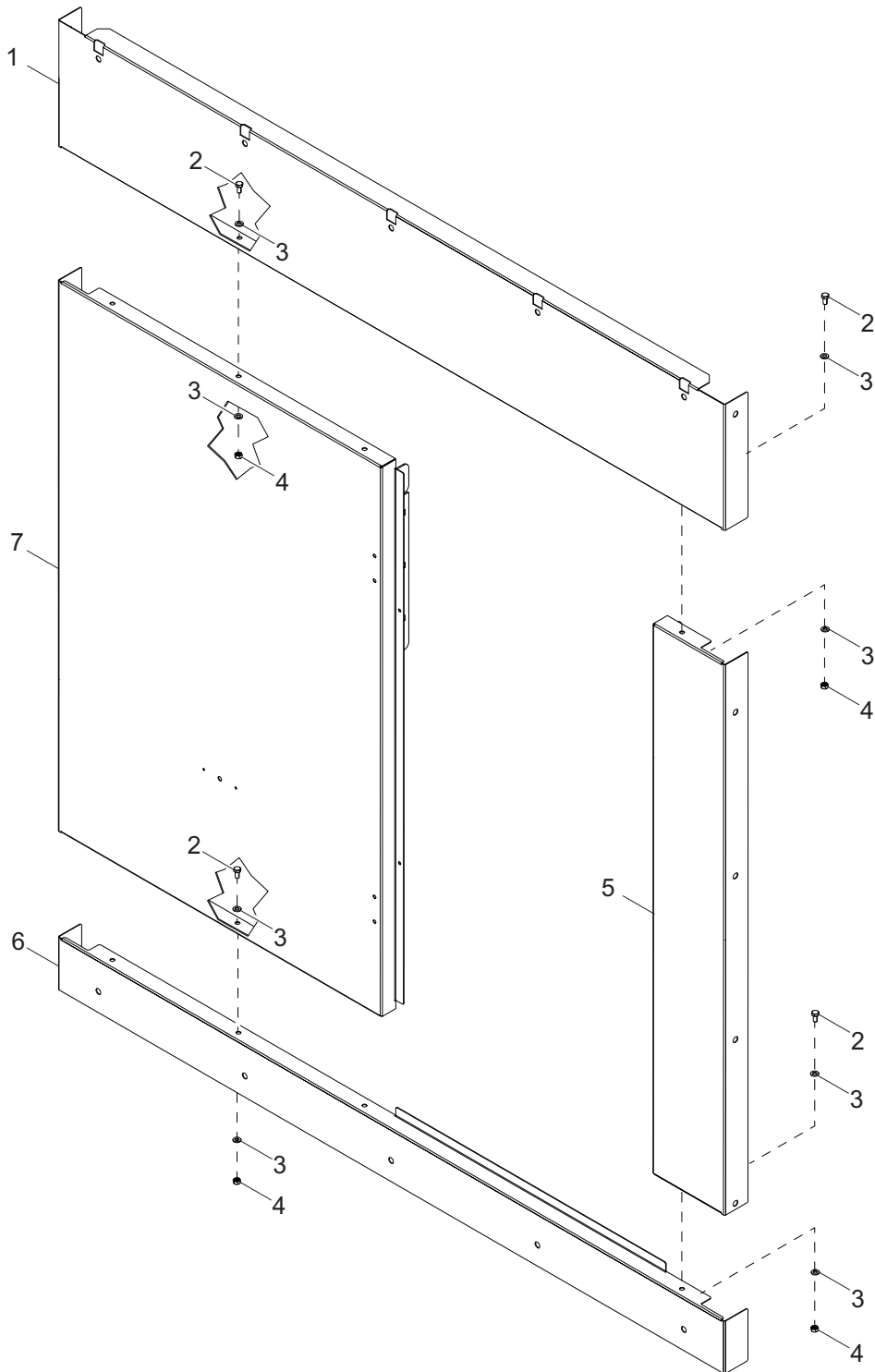


## REAR PANEL ASSEMBLY

---

Item	Part No.	Qty	Description	Notes
1	A0000422462	1	Panel, door rear - top	
2	G042907	8	Screw, M8-1.25 x 16 HHC, G8.8	
3	60031	8	Washer, M8 flat	
4	60032	8	Nut, M8-1.25 hex G8.8	
5	A0000426160	1	Panel, door side -small	
6	A0000422460	1	Panel, door front - bottom	
7	A0000426159	1	Panel, door rear-large	
--	A0000422660	1	Assembly, rear enclosure panel	

# FRONT PANEL ASSEMBLY



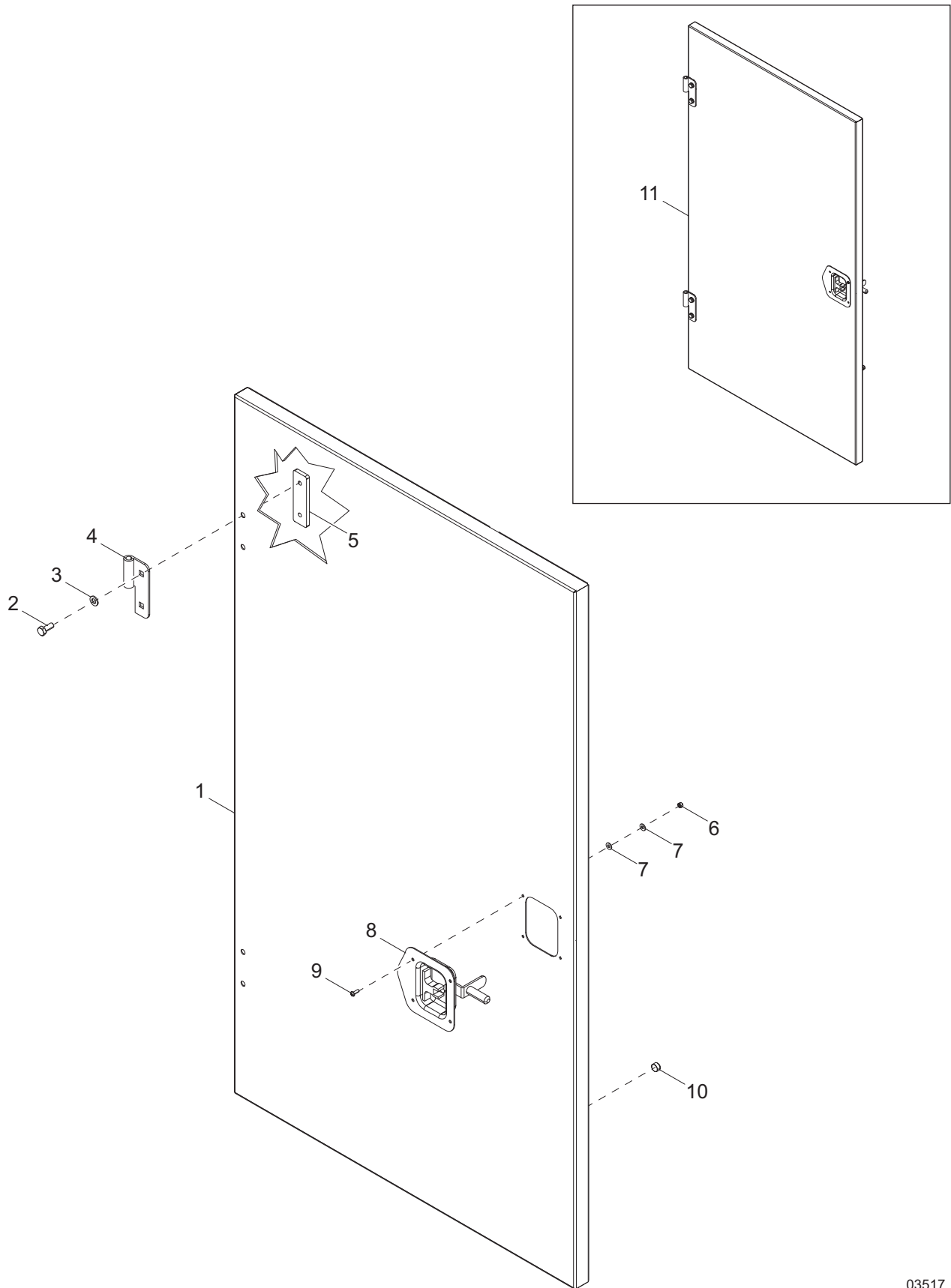
03516

## FRONT PANEL ASSEMBLY

---

Item	Part No.	Qty	Description	Notes
1	A0000422452	1	Panel, door front - top	
2	G042907	8	Screw, M8-1.25 x 16 HHC, G8.8	
3	60031	8	Washer, M8 flat	
4	60032	8	Nut, M8-1.25 hex G8.8	
5	A0000426160	1	Panel, door side -small	
6	A0000422460	1	Panel, door front - bottom	
7	A0000426159	1	Panel, door rear-large	
--	A0000422657	1	Assembly, front enclosure panel	

# REAR DOOR ASSEMBLY



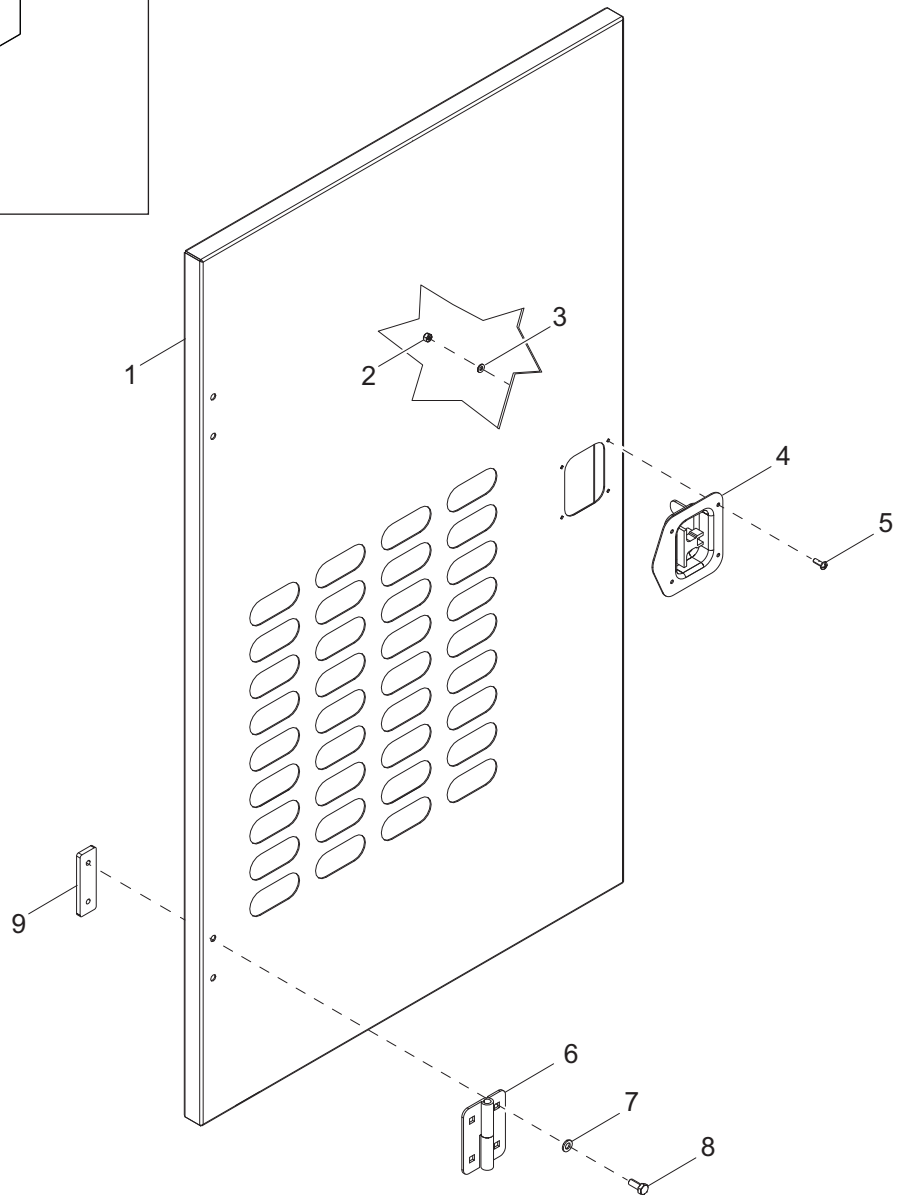
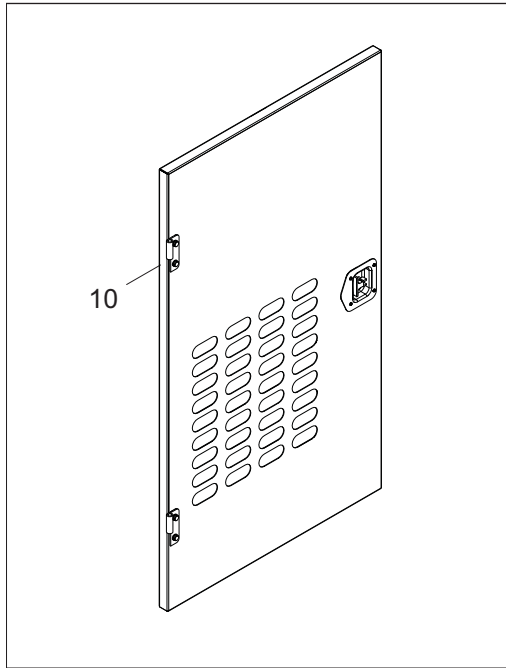
03517

## REAR DOOR ASSEMBLY

---

Item	Part No.	Qty	Description	Notes
1	A0000199265	1	Weldment, front door	
2	G055173	4	Screw, M8-1.25 x 20 HHC, G10.9	
3	60031	4	Washer, M8 flat	
4	18462B	2	Hinge, right - female black	
5	A0000199270	2	Plate, hinge back - threaded	
6	0C6748	4	Nut, M4-0.7 nylock	
7	G080490	4	Washer, #8 flat	
8	22498	1	Latch, T-handle CCW lock - right	
9	0C6749	4	Screw, M4-0.70 x 12 PPHM - SS	
10	A0000272695	2	Bumper, for .250 x .250 - push in	
11	A0000953364	2	Assembly, rear door	

# SIDE DOOR ASSEMBLY



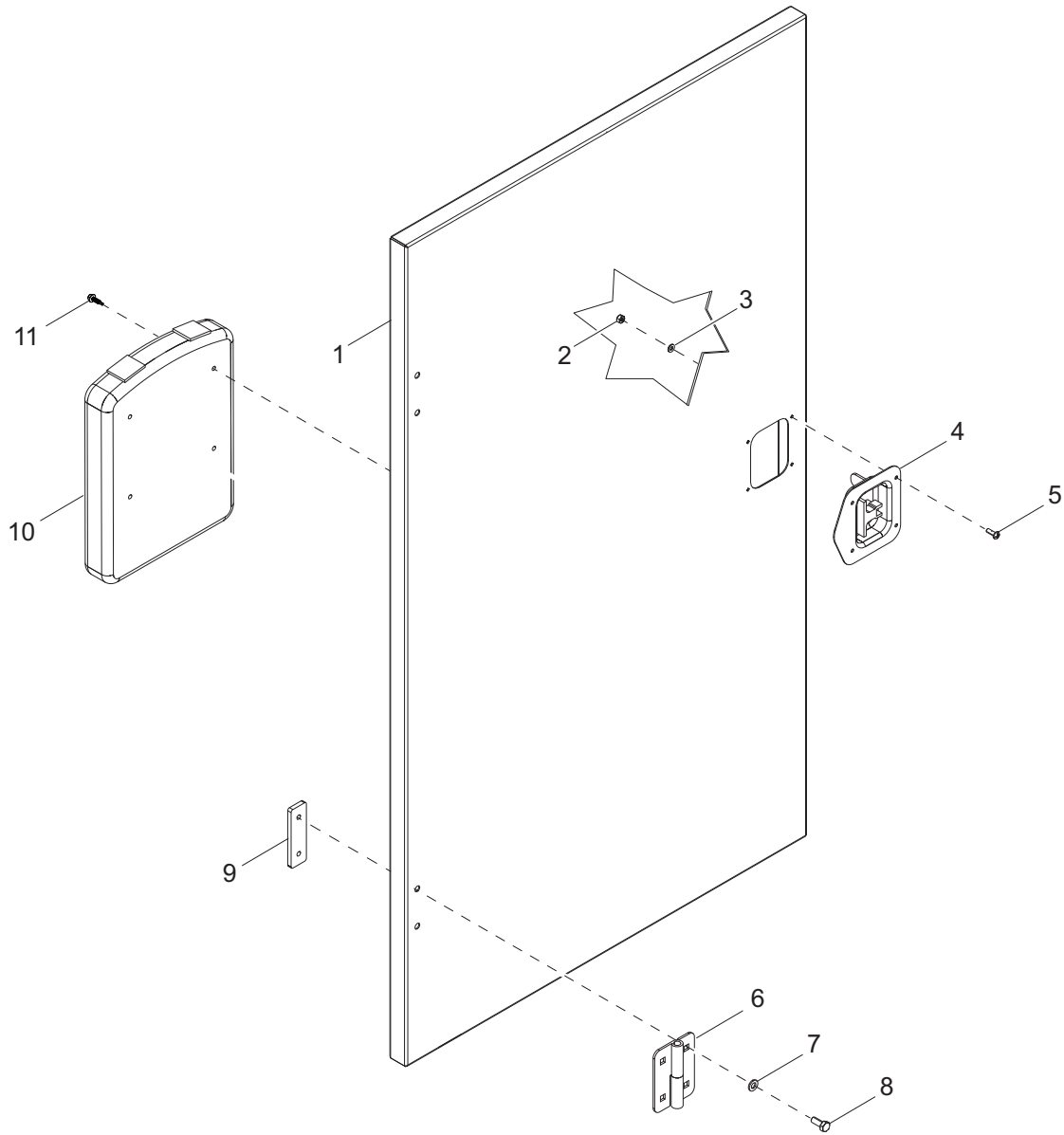
03518

## SIDE DOOR ASSEMBLY

---

Item	Part No.	Qty	Description	Notes
1	A0000199267	1	Weldment, left door	
2	0C6748	4	Nut, M4-0.7 nylock	
3	G080490	4	Washer, #8 flat	
4	22498	1	Latch, T-handle CCW lock - right	
5	0C6749	4	Screw, M4-0.70 x 12 PPHM - SS	
6	18462B	2	Hinge, right - female	
7	60031	4	Washer, M8 flat	
8	G055173	4	Screw, M8-1.25 x 20 HHC, G10.9	
9	A0000199270	2	Plate, hinge back - threaded	
10	A0000953190	1	Assembly, side door	

# FRONT DOOR ASSEMBLY



03519

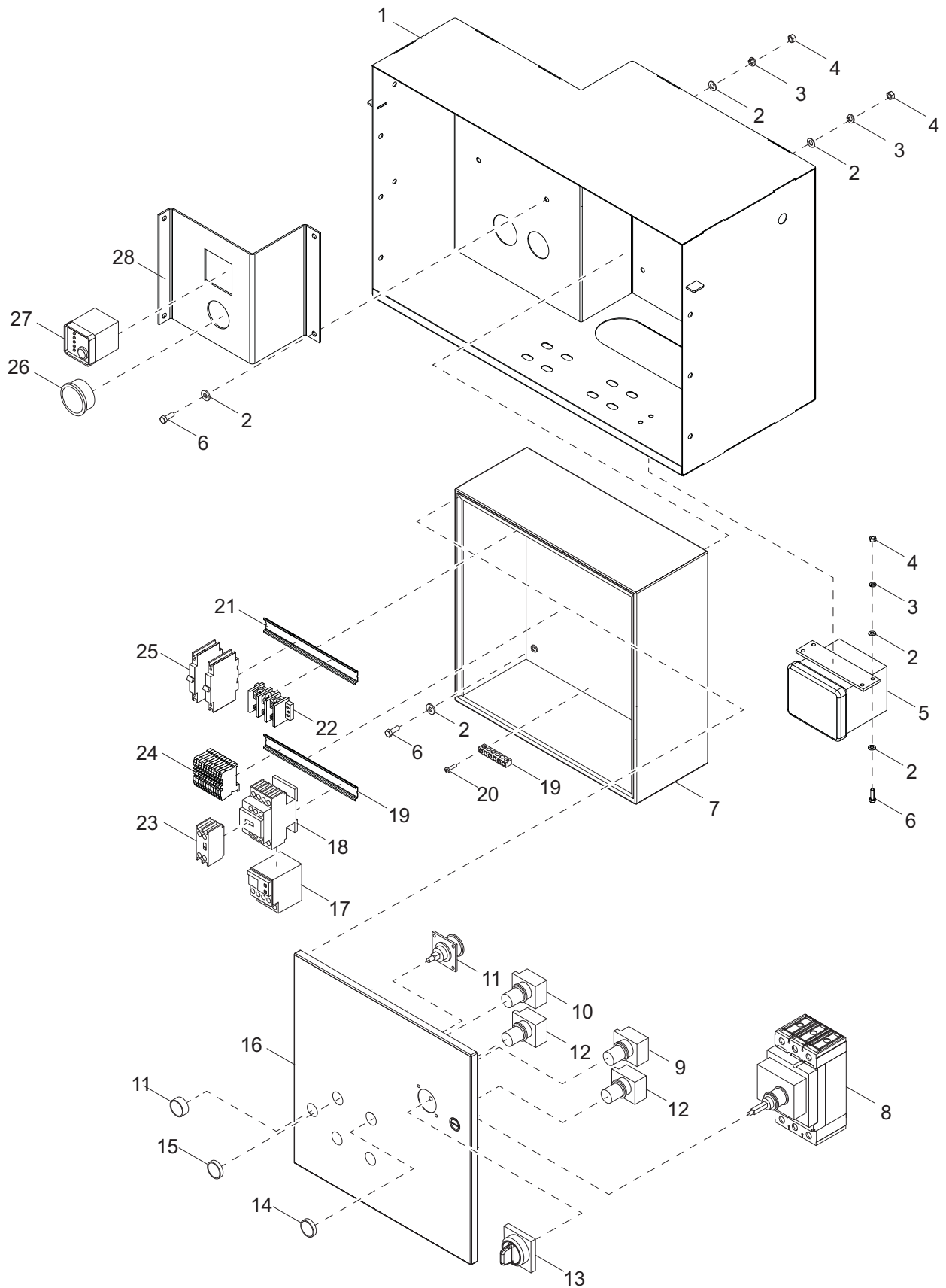


## FRONT DOOR ASSEMBLY

---

Item	Part No.	Qty	Description	Notes
1	A0000199265	1	Weldment, front door	
2	0C6748	4	Nut, M4-0.7 nylock	
3	G080490	4	Washer, #8 flat	
4	22498	1	Latch, T-handle CCW lock - right	
5	0C6749	4	Screw, M4-0.70 x 12 PPHM - SS	
6	18462B	2	Hinge, right - female	
7	60031	4	Washer, M8 flat	
8	G055173	4	Screw, M8-1.25 x 20 HHC, G10.9	
9	A0000199270	2	Plate, hinge back - threaded	
10	24540	1	Holder, manual	
11	3022914	3	Screw, .250-14 x 1.00 self-tapping	

# CONTROL BOX ASSEMBLY

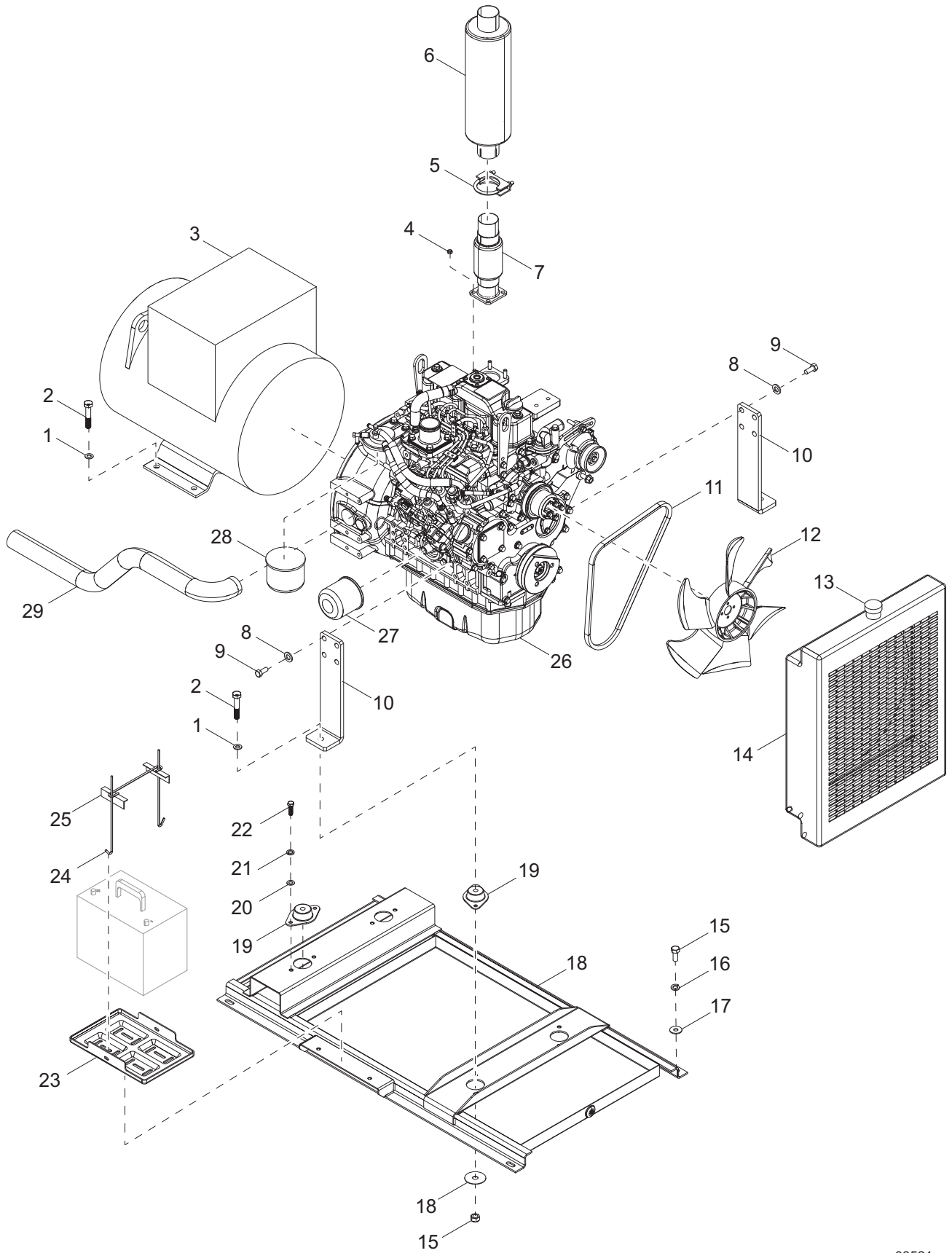


03520

## CONTROL BOX ASSEMBLY

Item	Part No.	Qty	Description	Notes
1	A0000199284	1	Weldment, controller box	
2	G049811	16	Washer, M6 flat	
3	OJ7513	8	Washer, lock M6	
4	G049813	8	Nut, M6-1.0 hex, G8	
5	MAC2374	1	Kit, breakaway	
6	G042568	8	Screw, M6-1.0 x 20, G8.8	
7	MAC2313	1	Box, breaker	
8	3020821	1	Breaker, 30A	
9	3021359	1	Light, LED 120V - red	
10	3020956	1	Light, LED 120V - green	
11	3021349	1	Switch, 2 position	
12	3021348	2	Switch, push button - momentary	
13	MAC0424	1	Kit, disconnect	
14	3021360	1	Lens, red	
15	3020957	1	Lens, green	
16	N/A	1	Cover, breaker box	
17	3023292	1	Relay, motor overload	
18	3020728	1	Contactor, 25 amp	
19	3021358	1	Bar, ground	
20	60352	8	Screw, .375-16 x 1.25 standard hex, G5	
21	N/A	2	Rail, DIN	
22	3021361	1	Block, distribution - 3 phase	
23	3021352	1	Contactor, aux	
24	10000030709	1	Terminal block, pass through WH	
25	3021372	2	Breaker, 10A - single phase	
26	MAC1202	1	Gauge, fuel	
27	3020740	1	Controller, LOFA	
28	A0000199283	1	Key switch mount	

# ENGINE / GENERATOR ASSEMBLY

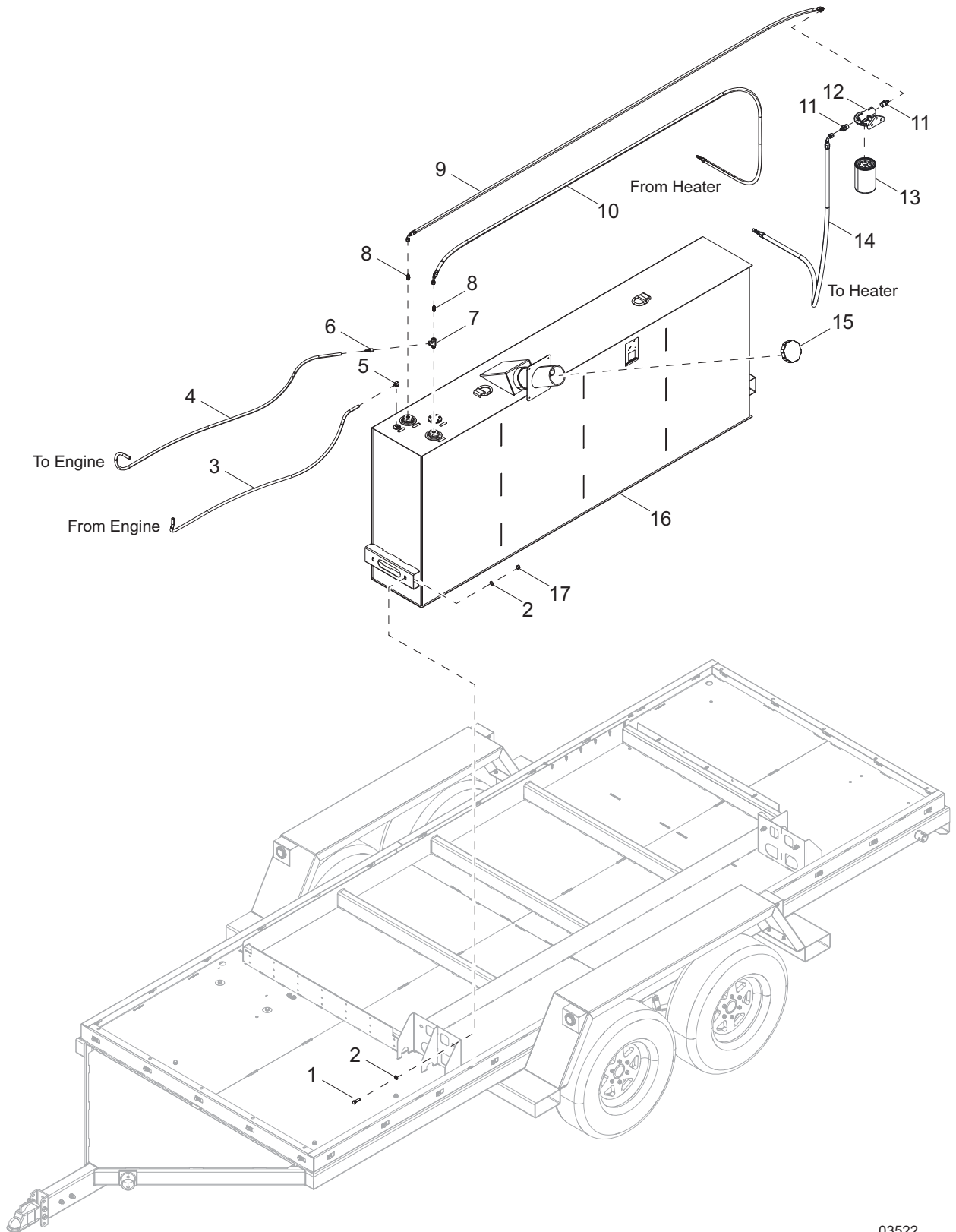


03521

## ENGINE / GENERATOR ASSEMBLY

Item	Part No.	Qty	Description	Notes
1	60012	4	Washer, M12 flat	
2	G098780	4	Screw, M12-1.75 x 65 HHC, G8.8	
3	A0000218332	1	Generator, Marathon 12kW LOFA	
4	60032	4	Nut, M8-1.25 hex	
5	0C6119	1	U-Bolt, .615-18 x 2.25	
6	A0000199335	1	Muffler	
7	A0000199334	1	Weldment, exhaust - flex	
8	60026	8	Washer, M10 split lock	
9	60408	8	Screw, M10-1.50 x 30 standard hex, G8.8	
10	A0001446682	2	Bracket, engine mount	
11	3020829	1	Belt, fan	
12	3020837	1	Fan	
13	19219	1	Cap, radiator, 14 PSI	
14	3023206	1	Assembly, radiator	
15	G052645	8	Screw, M12-1.75 x 30 HHC, C8.8	
16	G051769	8	Washer, M12 lock	
17	G049808	4	Washer, M12 flat	
18	A0000257311	1	Weldment, engine mounting	
19	A0000199330	4	Isolater	
20	60031	8	Washer, M8 flat	
21	0D3919	8	Washer, M8 lock	
22	G043107	8	Screw, M8-1.25 x 25 HHC, G8.8	
23	14145	1	Battery tray	
24	14146	2	Bolt, J .250-20 x 10.00	
25	14682	1	Bracket, battery hold-down	
26	A0000218332	1	Engine, D1.6L G35 3CE1 T4	
27	3020826	1	Filter, oil	
28	3020827	1	Filter, fuel	
29	A0000303631	1	Hose, air cleaner inlet	

# FUEL TANK ASSEMBLY

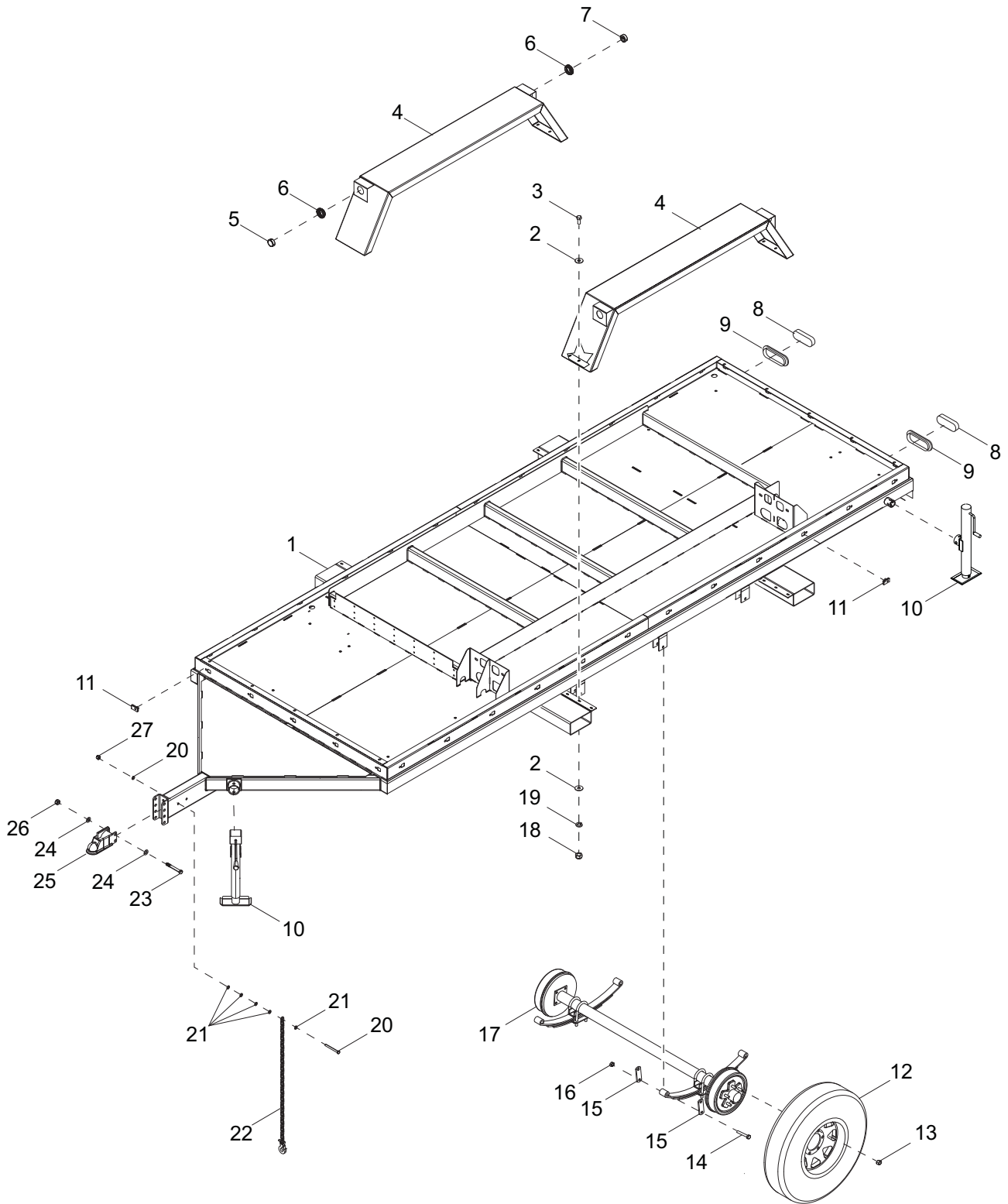


03522

## FUEL TANK ASSEMBLY

Item	Part No.	Qty	Description	Notes
1	G053557	4	Screw, M12-1.75 x 40 HHC, G8.8	
2	60012	8	Washer, M12 flat	
3	50018	6.5 ft	Hose, fuel 5/16 ID 50 PSI SAE 30R7	
4	50018	5.5 ft	Hose, fuel 5/16 ID 50 PSI SAE 30R7	
5	MAC2379	1	Adapter, tank - short	
6	G055596	1	Fitting, straight .375NPT x .375 barb	
7	MAC2269	1	Adapter, tee	
8	MAC2240	2	Adapter 2021	
9	A0000199236	1	Hose, fuel supply to filter	
10	A0000199237	1	Hose, fuel return	
11	MAC2241	2	Fitting, adapter AER 2021-8-6S	
12	A0000171995	1	Assembly, fuel filter	includes MAC0576
13	MAC0576	1	Element, fuel filter	
14	A0000199238	1	Hose, fuel supply to heater	
15	MAC1975	1	Cap, fuel 4.00 - vented	
16	A0000260863	1	Tank, fuel	
17	60305	4	Nut, M12-1.75 nylock, G8.8	

# TRAILER ASSEMBLY



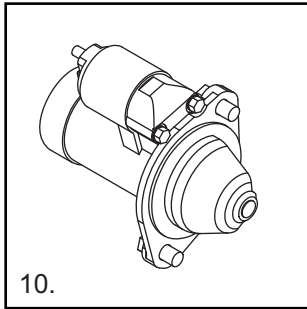
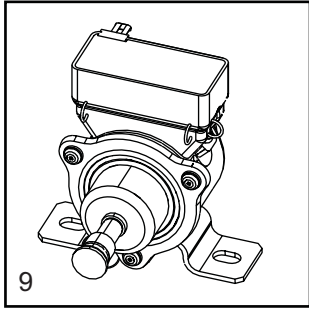
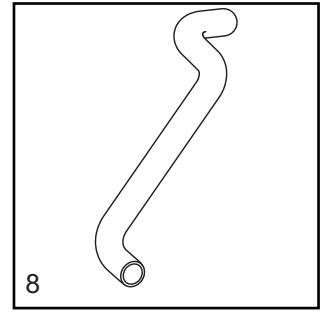
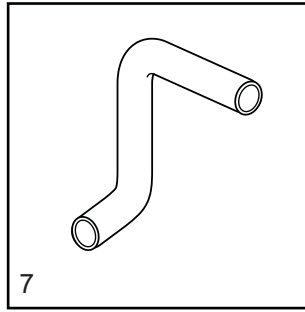
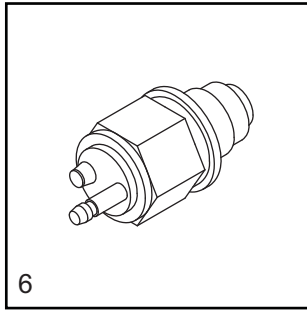
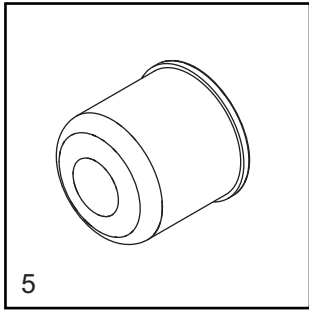
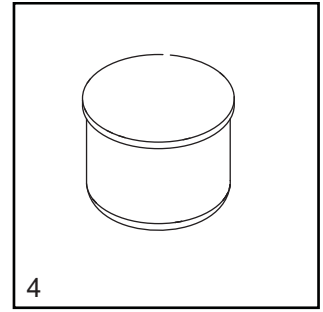
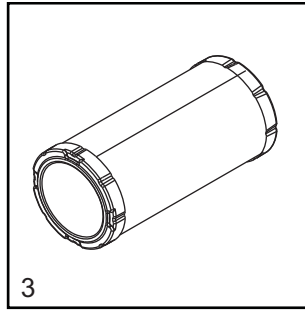
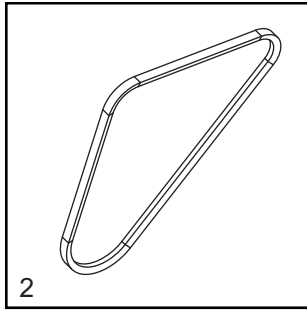
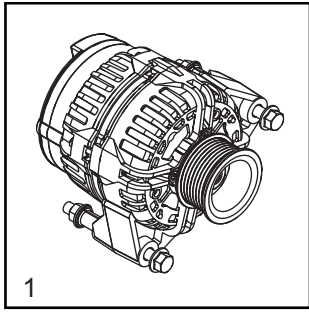
03523



## TRAILER ASSEMBLY

Item	Part No.	Qty	Description	Notes
1	A0000259208	1	Weldment, trailer	
2	60031	24	Washer, M8 flat	
3	63168	12	Screw, M8-1.25 x 30 standard hex, G10.9	
4	A0000259210	2	Weldment, trailer fender	
5	66702	2	Light, clearance 2.00 LED - amber	
6	66394	4	Grommet, sealed beam light - rubber	
7	66703	2	Light, clearance 2.00 LED - red	
8	MAC4083	2	Light, stop/turn/tail 6.00 oval LED	
9	MAC3637	2	Grommet, 6.00 oval - rubber	
10	MAC1314	3	Jack, 5000 lb sidewinder	
11	10000045773	34	Nut, M10- x 1.50 U-clip short type	
12	20374B	4	Wheel, ST235/80R16 - 3500 lb	
13	60096	24	Nut, .500-20 lug, G5	
14	60503	14	Screw, .562-18 x 3.00 hex, G5	
15	19637	6	Plate, shackle bracket - 3.125	
16	60504	14	Nut, .562-18 hex	
17	MAC0596	2	Kit, 72.00 axle	
18	60032	12	Nut, M8-1.25 hex, G8.8	
19	60029	12	Washer, M8 split lock	
20	0K4243	2	Screw, M12-1.75 x 120, G8.8	
21	60012	24	Washer, M12 flat	
22	23367	2	Chain, safety - 7,800 lbs rated	
23	10000045715	2	Screw, M16-2.0 x 130, G8.8	
24	60193	4	Washer, M16 flat	
25	MAC0069	1	Hitch, 2.66	
26	10000045417	2	Nut, M16-2.00 hex, nylock, G10.9	
27	60305	2	Nut, M12-1.75 nylock, G8.8	

# RECOMMENDED SPARE PARTS - ENGINE

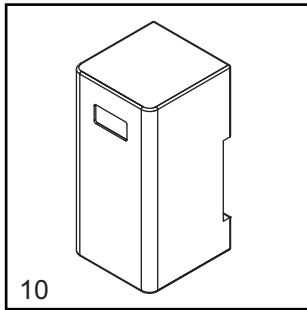
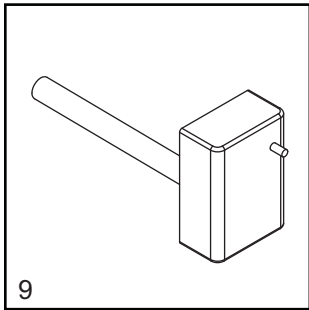
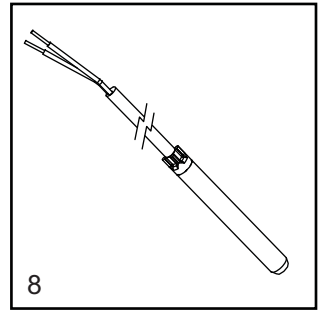
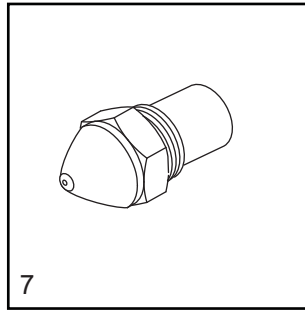
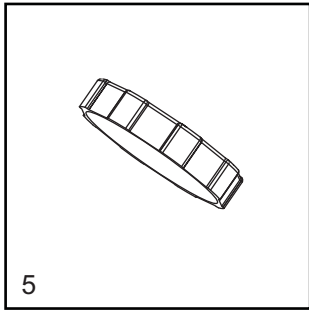
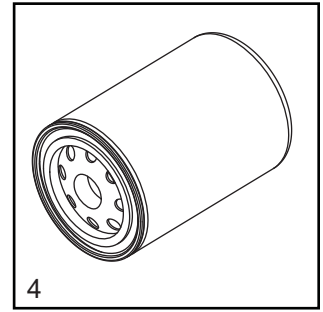
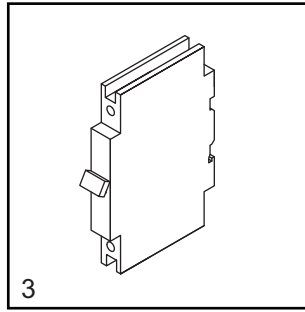
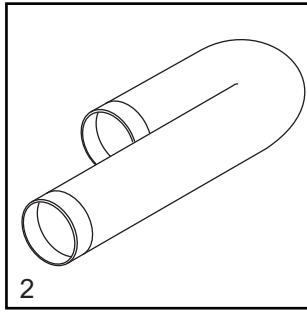
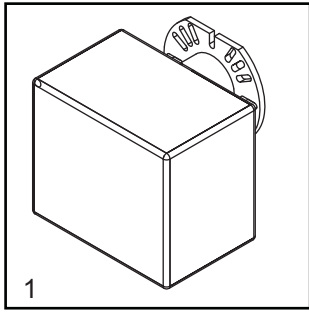


## RECOMMENDED SPARE PARTS - ENGINE

---

1. Alternator .....	3020833
2. Belt, fan .....	3020829
3. Filter, air .....	3020836
4. Filter, fuel .....	3020827
5. Filter, oil .....	3020826
6. Glow Plug .....	3020830
7. Hose, radiator - upper.....	10000030886
8. Hose, radiator - lower .....	10000030896
9. Pump, fuel .....	3022097
10. Starter .....	3020832
11. Relay, glow plug.....	MAC4010 (not shown)

# RECOMMENDED SPARE PARTS - HEATER AND ELECTRICAL



## RECOMMENDED SPARE PARTS - HEATER AND ELECTRICAL

---

1. Burner, 40 series F15 w/ nozzle kit MAC1879.....	MAC1911
2. Duct, 12" x 30'.....	10000023604
3. Breaker, 10A - single phase.....	3021372
4. Filter, fuel burner.....	MAC0576
5. Fuel cap, vented 4.00 inch .....	MAC1975
6. Motor, blower 7.5 hp.....	MAC0973
7. Nozzle, Riello 4.00 x 60° .....	MAC1613
8. Sensor, A421 .....	10000023341
9. Control, fan limit.....	MAC1488
10. Control, temperature.....	MAC1516





Part No. A0000263982 Rev. B 06/24/2021

©2021 Generac Mobile Products, LLC  
All rights reserved.

Specifications are subject to change without notice.  
No reproduction allowed in any form without prior written consent  
from Generac Mobile Products, LLC.

**GENERAC** | **MOBILE**

Generac Mobile Products, LLC  
215 Power Drive, Berlin, WI 54923

[GeneracMobileProducts.com](http://GeneracMobileProducts.com) | 800-926-9768 | 920-361-4442